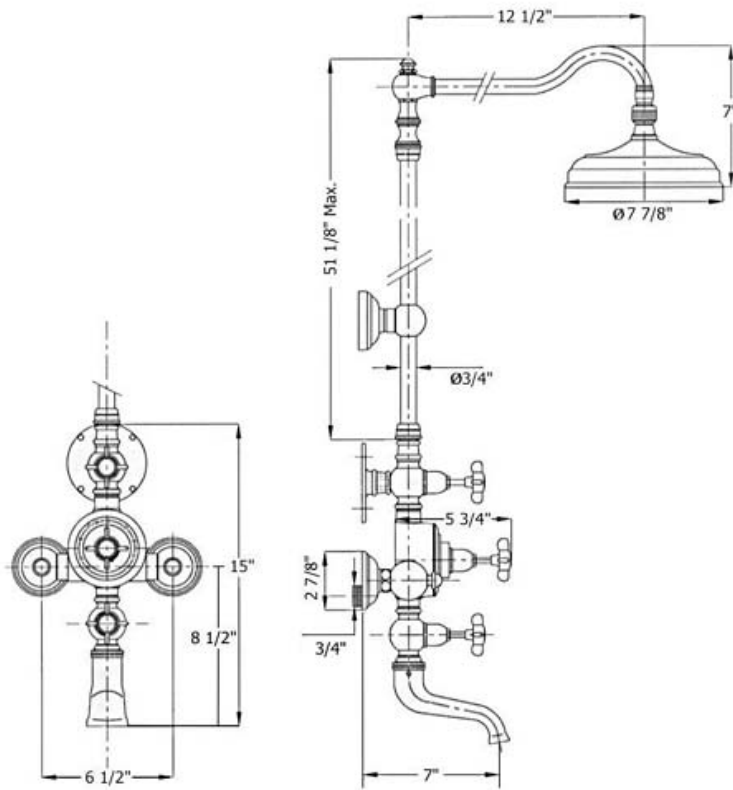


# 3403 - 'Royale' Exposed Thermostatic Tub & Shower



Part#	Description
44	Bell Escutcheon
45	Handle Stem
46	Cross Handle
47	Handle Washer
48	Handle Screw
49	Adhesive Tab
50	Ceramic Insert
51	Valve Connectors
54	3/4"-16 Nuts
55	3/4" Washer
56	3/4"-1/2" Adapter
57	1" O.D. x 1" O.D. Z-Adapter
58	Escutcheon
59	O-ring
60	Thermostat Cartridge
60	Thermostat Body
61	Scold Stop Plate
61	Dial Plate
63	Square Tube
64	Swivel Bushing
64+65	Pointer Cap & Bushing
66	Valve Connector
68	O-Ring
69	Spout Connector
70	Spout
71	Valve Button
72	Integral Stop
73	Bell & Stem
78	Slide Elbow
78	Escutcheon

## Technical Information

- 8" Rose
- Tub Spout=Approx. 8.7 GPM
- 8" Shower Head=Approx. 3.0 GPM
- Flow Rates Are Based On Use Of 3/4" Supply Lines And Will Vary Depending On Water Pressure
- Integral Shutoff Valves
- 3/4" Connections
- 19 GPM @ 60 PSI (4 Bars)
- Available finishes are Polished Chrome(48), Solibrass(49), Polished Brass(55), Polished Nickel(56), Brushed Nickel(57), Satin Nickel(60), Weathered Brass(70)
- Please see Cleaning Instructions for finish care and maintenance information

Part#	Description
1	Mounting Screw Kit
2	Wall Mount Plate
3	Set Screws
16	1/2" WASHER
20	Top Knob
21	Finished Washer
22	Shower Head Arm
23-29	Head Swivel Kit
30	Shower Head
31	Rubber O-ring
32	Shower Arm Column
34	Rubber Washer
35	Finished Brass Nut
36	Riser Pipe
38	Joint
40	1/2" Valve Body
41	Lower Valve Body
41A	Mounting Plate
41A	Plate Screws
41B	1/2"-3/4" Adapter
42	1/2 Turn Ceramic Cart Cartridge

Please follow example when ordering parts for 'Royale' Exposed  
Thermostatic Tub & Shower Set.

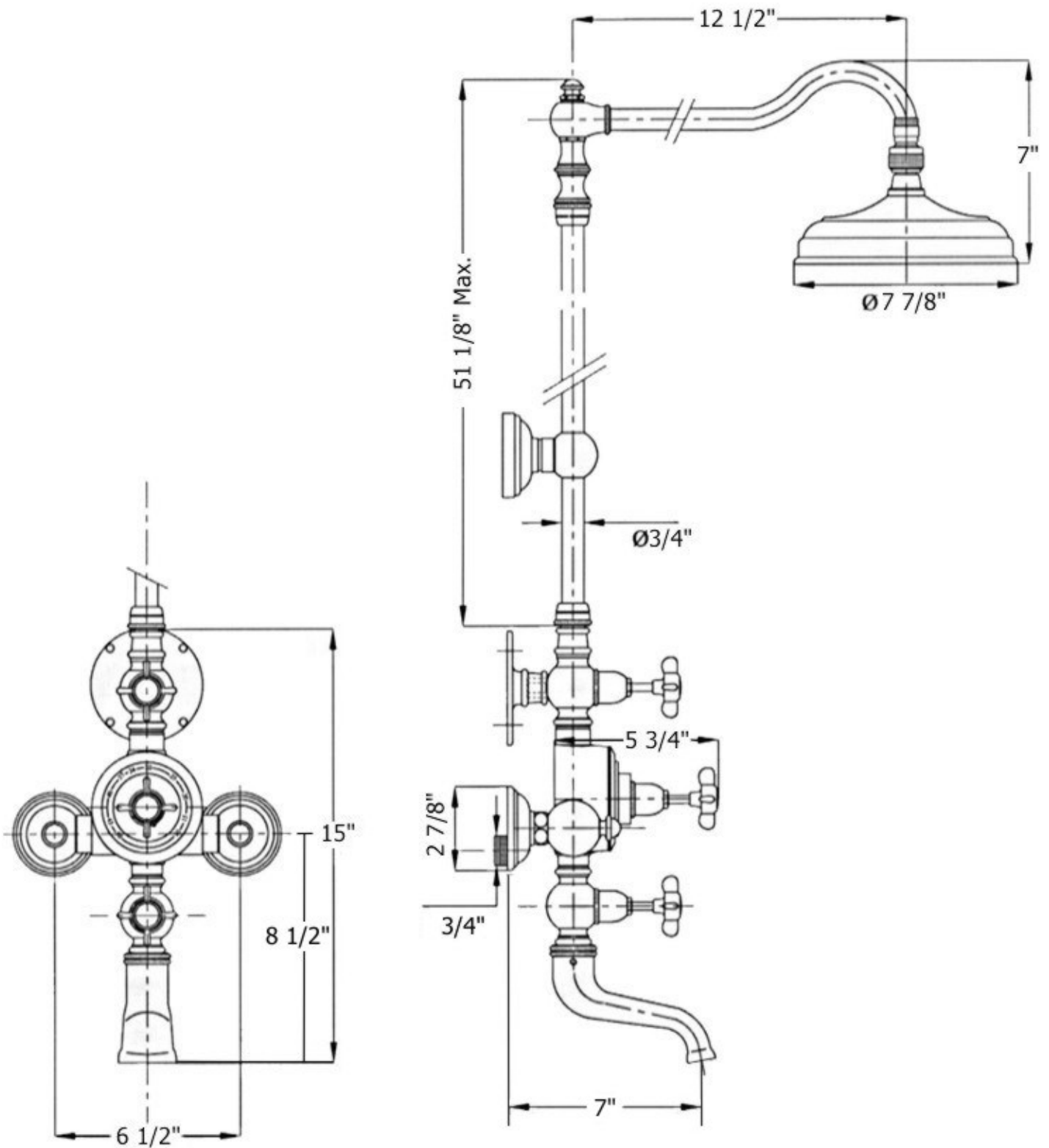
- To order part#46 – **CROSS HANDLE**
  - 9340346 xx
- Please substitute finish number needed in place of **XX**.

To order a part that is not finished use **00**



**Herbeau**®  
L'Art du Sanitaire depuis 1857

# 3403 - 'Royale' Exposed Thermostatic Tub & Shower Set



# 3403 - 'Royale' Exposed Thermostatic Tub & Shower Set

