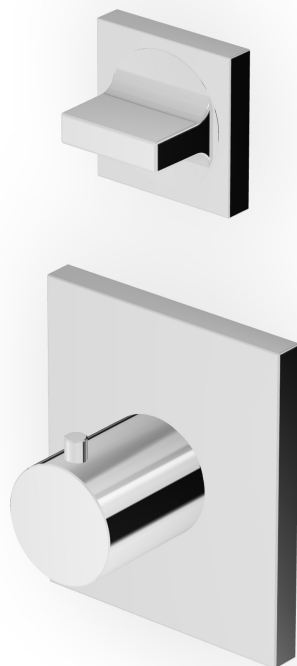


AGUABLU

ZA5646

Termostatico incasso doccia con deviatore 2/3 vie. / Built-in thermostatic shower mixer and 2/3 way diverter.



Termostatico incasso doccia da 1/2" e deviatore a 2/3 vie con apertura/chiusura acqua. Installazione possibile sia in verticale che in orizzontale.

1/2" built-in thermostatic shower mixer and 2/3 way diverter with water on/off function. Both vertical and horizontal installation possible.

R97810

Parte incasso termostatico 2 vie / Built-in part -
2 way thermostatic mixer



R97815

Parte incasso termostatico 3 vie / Built-in part -
3 way thermostatic mixer




Finiture / Finishes

 Cromo / Chrome

 C3
Nickel Spazzolato / Brushed Nickel

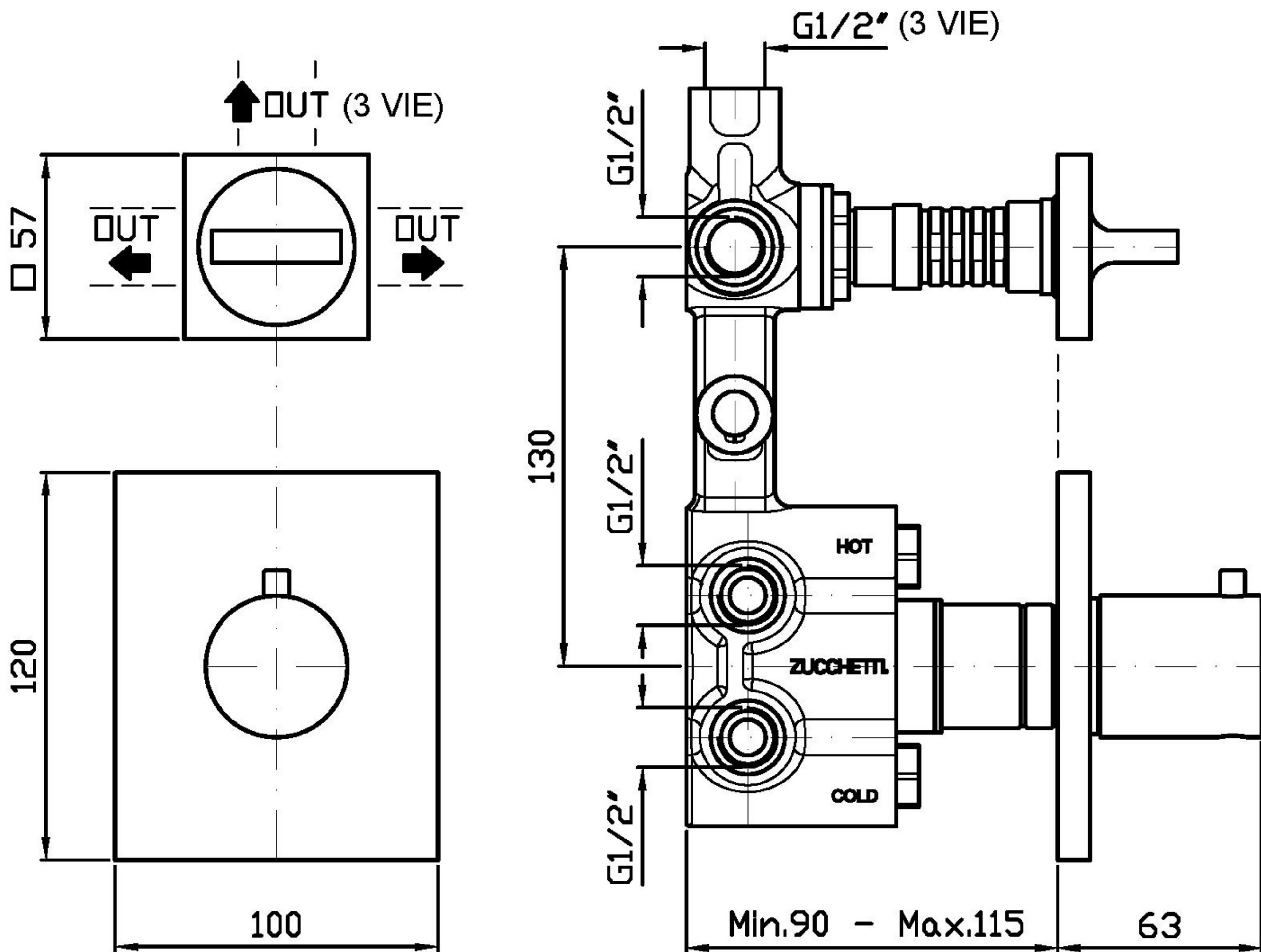
 P31
Brushed PVD British gold / Brushed
PVD British gold

 P81
Brushed total black PVD / Brushed
total black PVD

AGUABLU

ZA5646

Disegno Complessivo / Overall Drawing

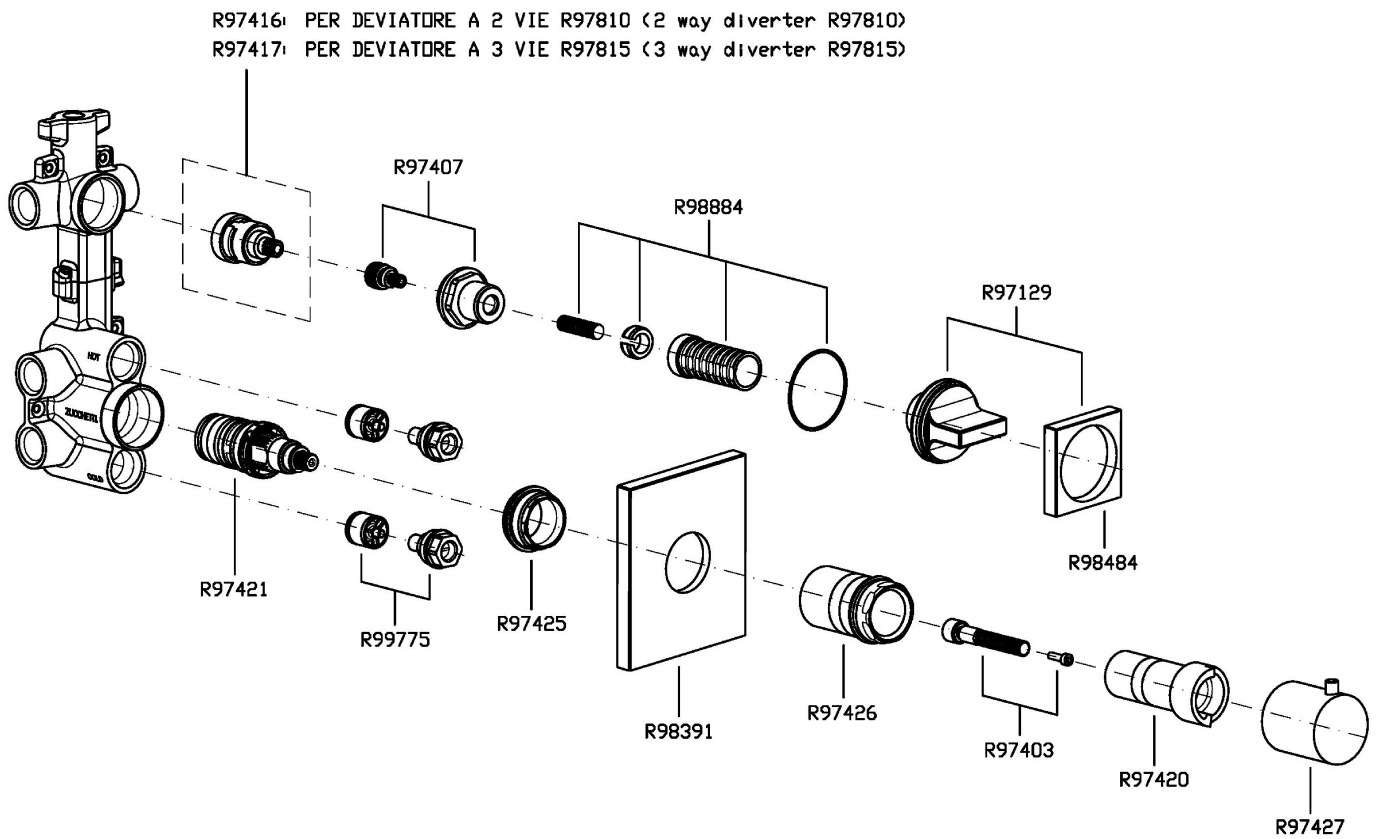


Note / Notes

AGUABLU

ZA5646

Esplosi / Exploded

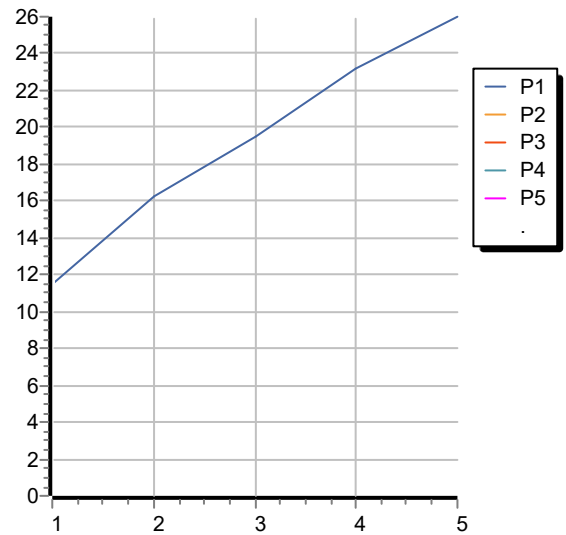


AGUABLU

ZA5646

Portate / Flowrates (lt/min)

PRESSIONE PRESSURE	1 BAR	2 BAR	3 BAR	4 BAR	5 BAR
DEVIATORE <i>P1</i>	11,5	16,2	19,5	23,2	26
<i>P2</i>					
<i>P3</i>					
<i>P4</i>					
<i>P5</i>					



AGUABLU

ZA5646

Pesi e Misure / Weights and Sizes

Peso (Kg) Weight (lb)	1,92 (Kg)	4,23 (lb)
Volume test (dc3) - (in3)	11,01 (dc3)	671,87 (in3)
h (mm) - (in)	90,00 (mm)	3,54 (in)
L1 (mm) - (in)	335,00 (mm)	13,19 (in)
L2 (mm) - (in)	365,00 (mm)	14,37 (in)

