

AGUABLU

ZA5413

Rubinetto lavabo elettronico. / Electronic basin mixer.



Rubinetto lavabo elettronico. Consigliata installazione con termostatico per regolazione temperatura.

Electronic basin mixer. Thermostatic valve suggested to regulate temperature.

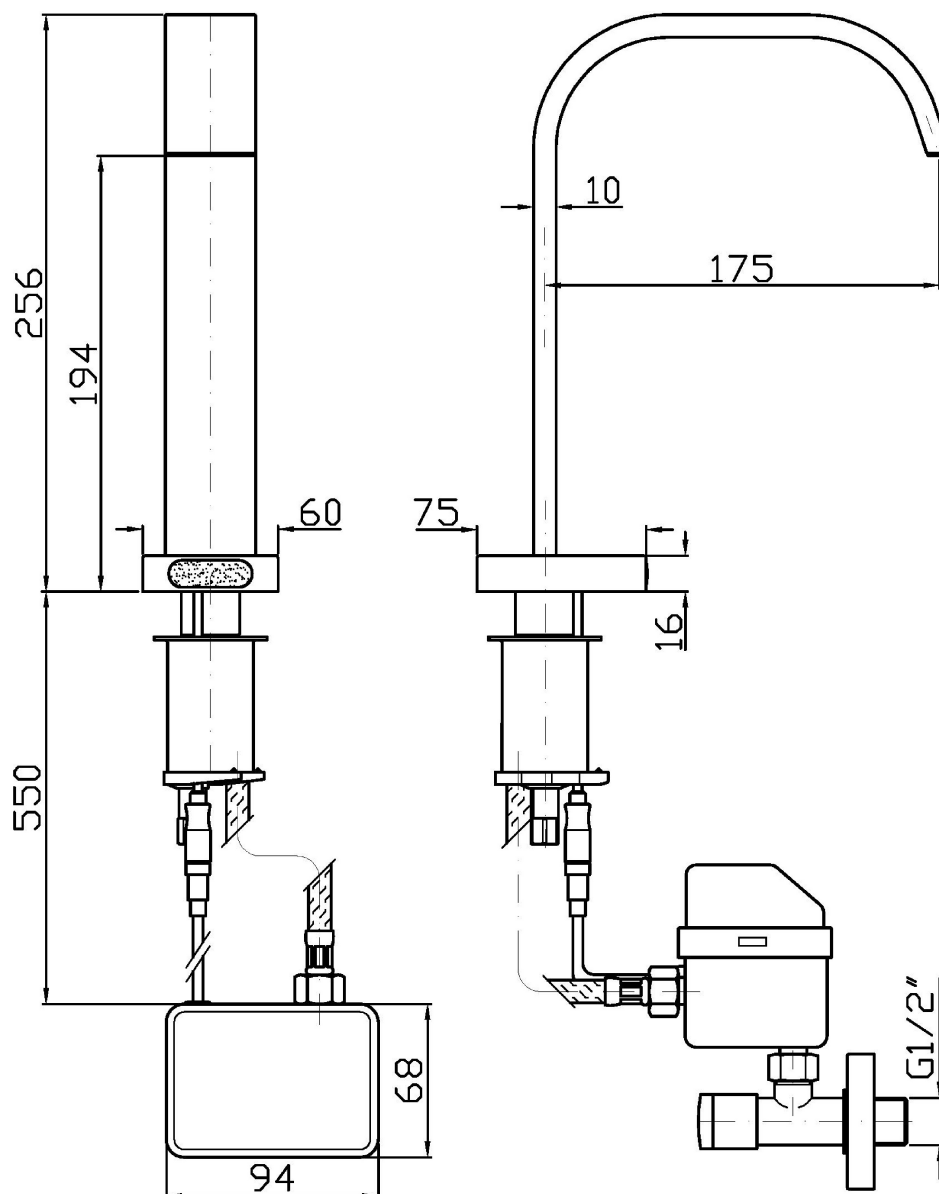
Finiture / Finishes

			
Cromo / Chrome	C3 Nickel Spazzolato / Brushed Nickel	P31 Brushed PVD British gold / Brushed PVD British gold	P81 Brushed total black PVD / Brushed total black PVD

AGUABLU

ZA5413

Disegno Complessivo / Overall Drawing

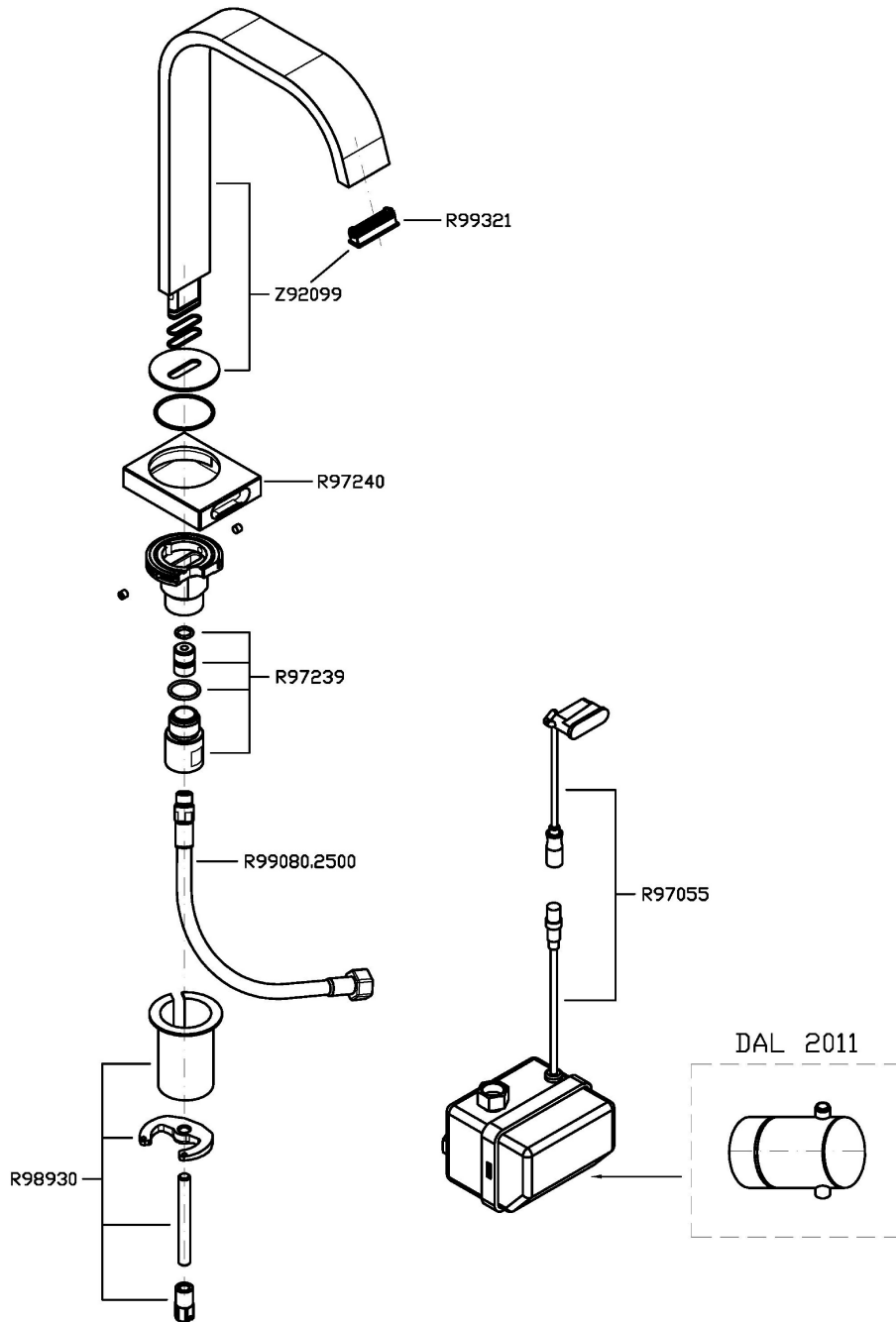


Note / Notes

AGUABLU

ZA5413

Esplosi / Exploded

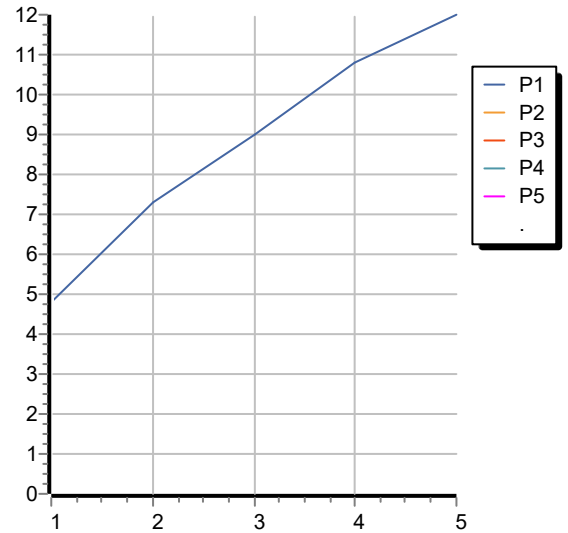


AGUABLU

ZA5413

Portate / Flowrates (lt/min)

PRESSIONE PRESSURE	1 BAR	2 BAR	3 BAR	4 BAR	5 BAR
P1 LAVABO BASIN	4,8	7,3	9	10,8	12
P2					
P3					
P4					
P5					



AGUABLU

ZA5413

Pesi e Misure / Weights and Sizes

Peso (Kg) Weight (lb)	2,76 (Kg)	6,08 (lb)
Volume test (dc3) - (in3)	11,01 (dc3)	671,87 (in3)
h (mm) - (in)	90,00 (mm)	3,54 (in)
L1 (mm) - (in)	335,00 (mm)	13,19 (in)
L2 (mm) - (in)	365,00 (mm)	14,37 (in)

