

## 5082 Nuda 95

### Countertop - wall hung basin 95 cm

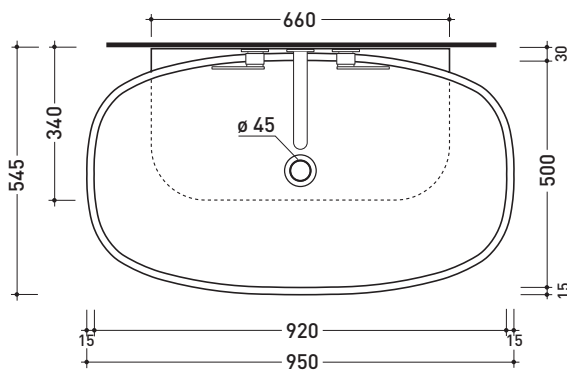
• WITHOUT OVERFLOW • WITHOUT TAP LEDGE

Complements: **Forty6 shelf (F65082)**  
**Box wall hung vanity units depth 50 cm**  
**Line taps basin: ONE - NOKÈ - SI - X1**  
**Line accessories: TWO - HOOP - NOKÈ - FOLD**

Technical accessories: **Chrome siphon (SIFL/CR) - Telescopic chrome siphon (SIFL066)**  
**Stop & Go drain (PLSG)**  
**CERAMIC Stop & Go drain (PLCE)**  
**Chrome waste with automatic integrated overflow (PLTPCR)**  
**Waste with automatic integrated overflow and ceramic cover (PLTPCE)**  
**Two piece set chrome tap filters (RF026)**  
**Fixing kit for wall (9002)**

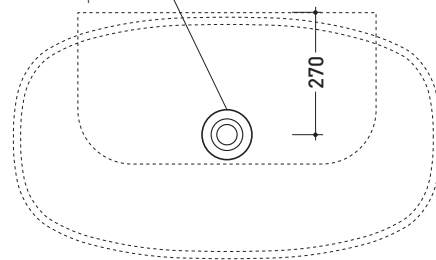
Package dim. 95 x 18 x 59,5 cm | Weight 30,3 kg | Pz. Pallet n° 10

CE UNI EN 14688 - CL00 Dop-No14688

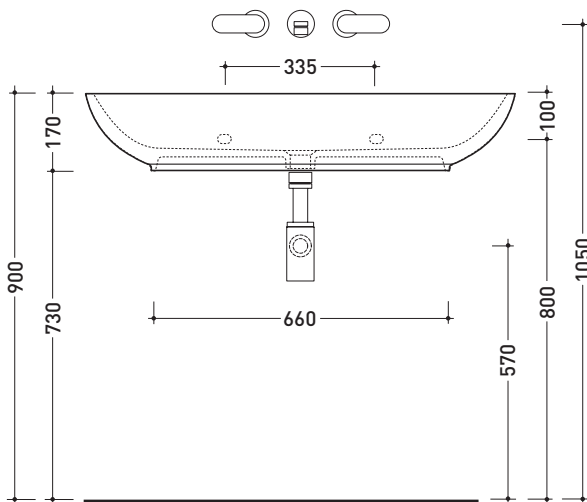


vista zenitale / zenital view

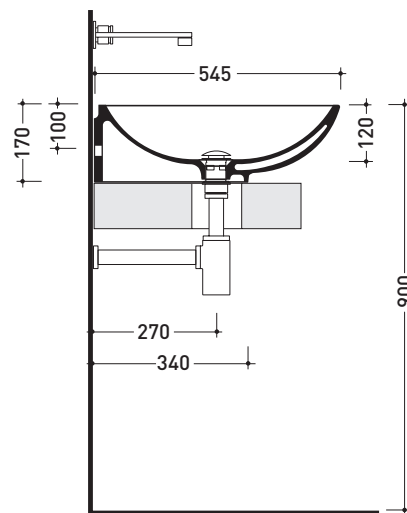
foro consigliato sul piano ø 110  
 suggested hole on the top ø 110



vista zenitale / zenital view



vista frontale / frontal view



sezione longitudinale / section

sizes in mm

Please consider a 2% tolerance on indicated measurements

CERAMIC: glossy finish



matt finish

