

5081 Nuda 85

Countertop - wall hung basin 85 cm with tap ledge

• WITH OVERFLOW • ARRANGED FOR THREE HOLES TAP

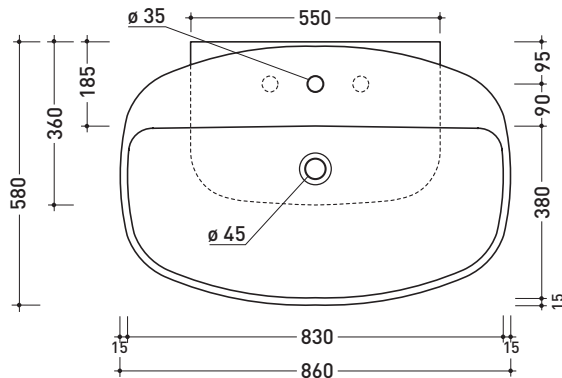
Complements: **Forty6 shelf (F68081)**
Box wall hung vanity units depth 50 cm
Line taps basin: ONE - NOKÈ - FOLD - X1
Line accessories: TWO - HOOP - NOKÈ - FOLD

Technical accessories: **Chrome siphon (SIFL/CR) - Telescopic chrome siphon (SIFL066)**
Stop & Go drain (PLSG)
CERAMIC Stop & Go drain (PLCE)
Two piece set chrome tap filters (RF026)
Fixing kit for wall (9002)

Package dim. **87 x 18,5 x 59,5 cm** | Weight **30,3 kg** | Pz. Pallet n° **10**

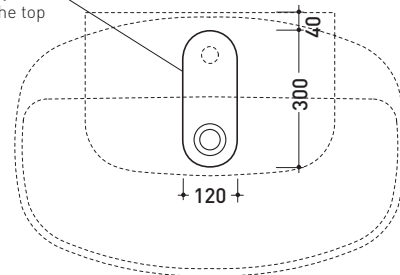


CE UNI EN 14688 - CL20 Dop-No14688

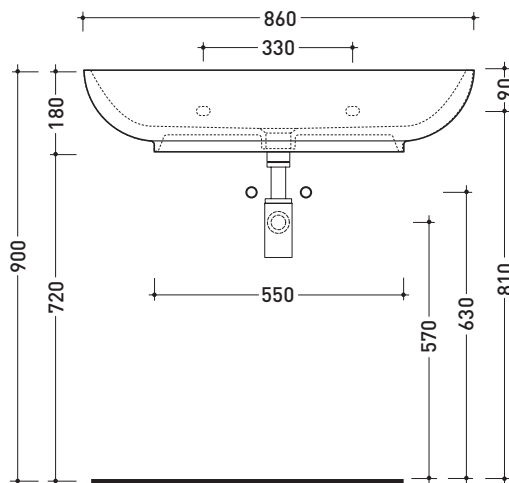


vista zenitale / zenital view

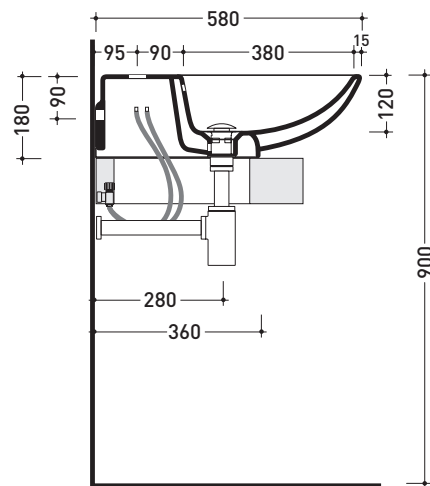
foro consigliato sul piano
suggested hole on the top



vista zenitale / zenital view



vista frontale / frontal view



sezione longitudinale / section

sizes in mm

Please consider a 2% tolerance on indicated measurements

CERAMIC: glossy finish



matt finish

