

5080 Nuda 85

Countertop - wall hung basin 85 cm

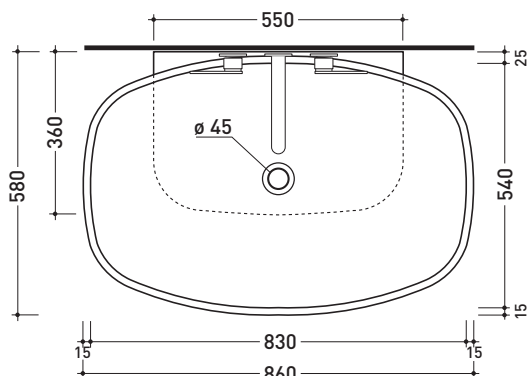
• WITHOUT OVERFLOW • WITHOUT TAP LEDGE

Complements: **Forty6 shelf (F68081)**
Box wall hung vanity units depth 50 cm
Line taps basin: ONE - NOKÈ - SI - X1
Line accessories: TWO - HOOP - NOKÈ - FOLD

Technical accessories: **Chrome siphon (SIFL/CR) - Telescopic chrome siphon (SIFL066)**
Stop & Go drain (PLSG)
CERAMIC Stop & Go drain (PLCE)
Chrome waste with automatic integrated overflow (PLTPCR)
Waste with automatic integrated overflow and ceramic cover (PLTPCE)
Two piece set chrome tap filters (RF026)
Fixing kit for wall (9002)

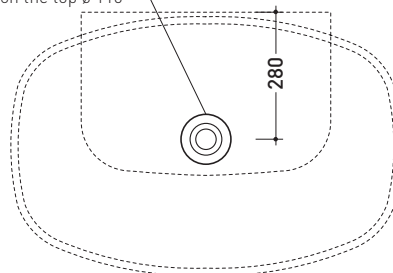
Package dim. **87 x 18,5 x 59,5 cm** | Weight **28,6 kg** | Pz. Pallet n° **10**

CE UNI EN 14688 - CL00 Dop-No14688

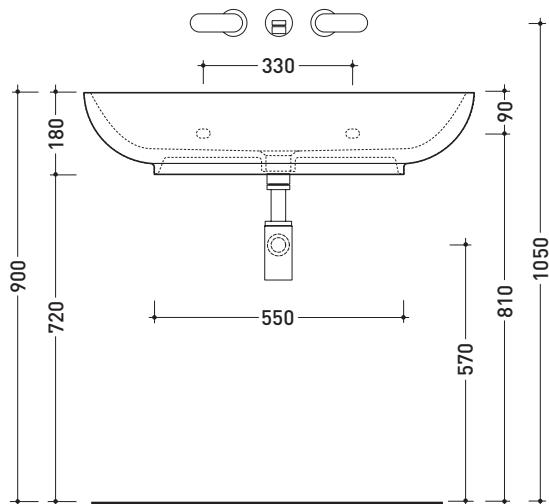


vista zenitale / zenital view

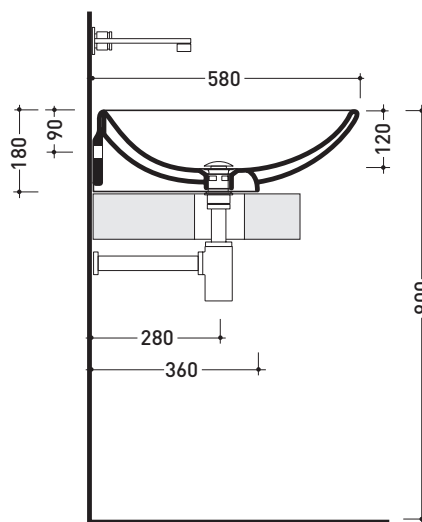
foro consigliato sul piano ø 110
suggested hole on the top ø 110



vista zenitale / zenital view



vista frontale / frontal view



sezione longitudinale / section

sizes in mm

Please consider a 2% tolerance on indicated measurements

CERAMIC: glossy finish



matt finish

