

## 5083 Nuda 60

### Countertop - wall hung single-hole basin 60 cm

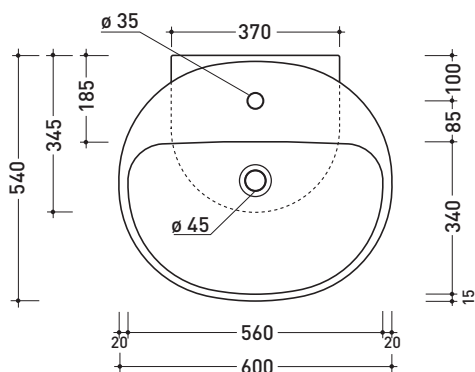
• WITH OVERFLOW

Complements: **Forty6 shelf (F65083)**  
**Box wall hung vanity units depth 50 cm**  
**Line taps basin: ONE - NOKÈ - FOLD - X1**  
**Line accessories: TWO - HOOP - NOKÈ - FOLD**

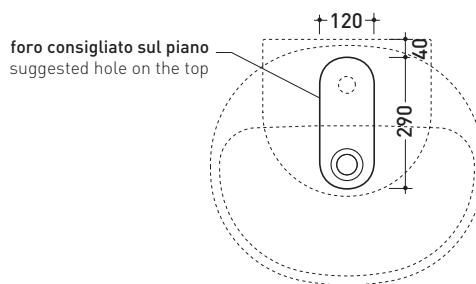
Technical accessories: **Chrome siphon (SIFL/CR) - Telescopic chrome siphon (SIFL066)**  
**Stop & Go drain (PLSG)**  
**CERAMIC Stop & Go drain (PLCE)**  
**Two piece set chrome tap filters (RF026)**  
**Fixing kit for wall (9002)**

Package dim. 60 x 19 x 56 cm | Weight 17,4 kg | Pz. Pallet n° 20

UNI EN 14688 - CL20 Dop-No14688

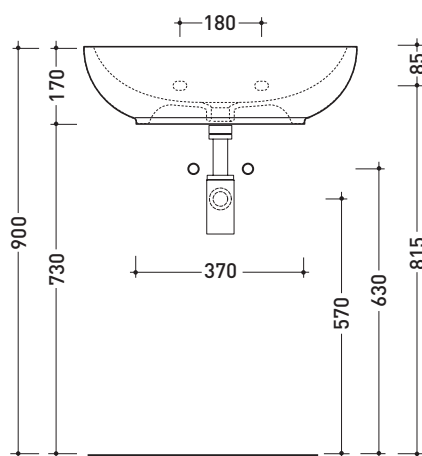


vista zenitale / zenital view

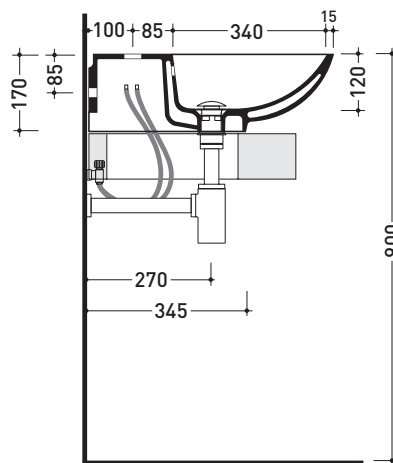


foro consigliato sul piano  
suggested hole on the top

vista zenitale / zenital view



vista frontale / frontal view



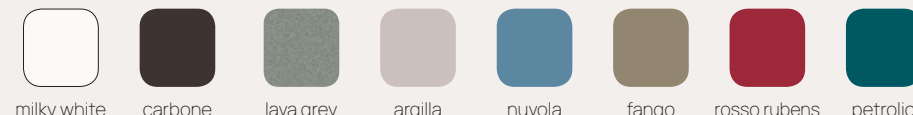
sezione longitudinale / section

sizes in mm

CERAMIC: glossy finish



matt finish



Please consider a 2% tolerance on indicated measurements