

VL52L Volo 52

Countertop - wall hung basin 52 cm

• WITH OVERFLOW • ARRANGED FOR SINGLE-HOLE

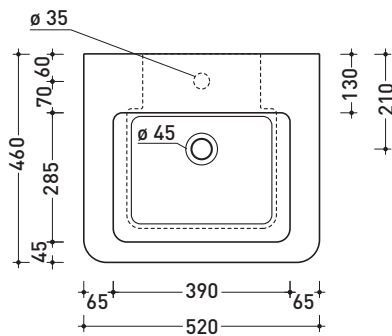
Complements: **Volo metal structure (VL52M)**
Furniture BOX - depth. 50
Line taps basin: ONE - NOKÉ - SI - FOLD - X1
Line accessories: TWO - HOOP - NOKÉ - FOLD

Technical accessories: **Chrome siphon (SIFL/CR) - Telescopic chrome siphon (SIFL066)**
Stop & Go drain (PLSG)
CERAMIC Stop & Go drain (PLCE)
Two piece set chrome tap filters (RF026)

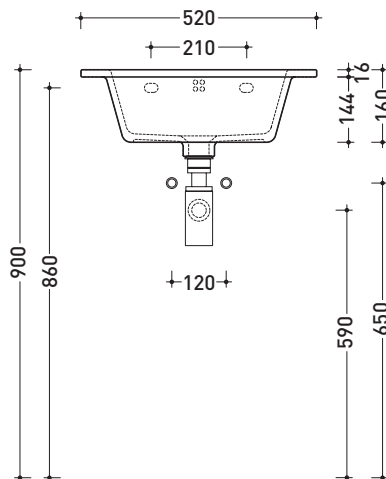
Package dim. 53,5 x 20 x 48 cm | Weight 15 kg | Pz. Pallet n° 18

UNI EN 14688 - CL20 Dop-No14688

COLOURED WHILE STOCKS LAST

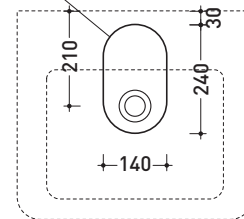


vista zenitale / zenital view

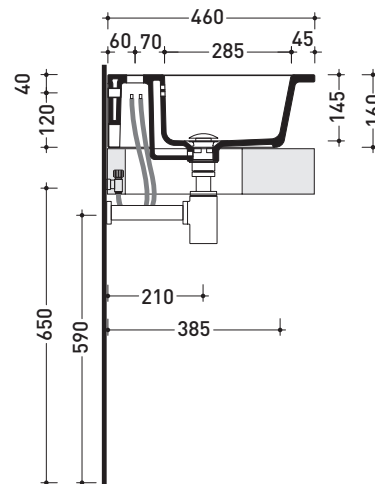


vista frontale / frontal view

foro consigliato sul piano
suggested hole on the top



vista zenitale / zenital view



sezione longitudinale / section

sizes in mm

CERAMIC: glossy finish



white black

matt finish



milky white graphite lava grey

Please consider a 2% tolerance on indicated measurements

FOR THE COLORS MARKED ASK FOR AVAILABILITY