

design PAOLA NAVONE

2011

## BL56L Boll 56

### Countertop basin 56 cm

• WITHOUT OVERFLOW • WITHOUT TAP LEDGE

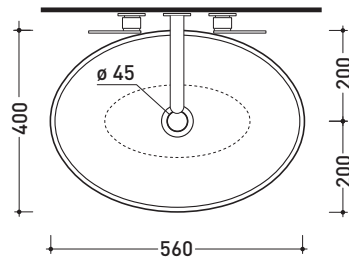
Complements: **Forty6 shelf (F6BL)**  
**Filo 60/75 metal structure (FI60SV - FI75SV - FI75SC)**  
**Furniture BOX - depth. 37**  
**Furniture BOX - depth. 50**  
**Line taps basin: ONE - NOKÉ - SI - FOLD - X1**  
**Line accessories: TWO - HOOP - NOKÉ - FOLD**

Technical accessories: **Chrome siphon (SIFL/CR) - Telescopic chrome siphon (SIFL066)**  
**Stop & Go drain (PLSG)**  
**CERAMIC Stop & Go drain (PLCE)**  
**Chrome waste with automatic integrated overflow (PLTPCR)**  
**Waste with automatic integrated overflow and ceramic cover (PLTPCE)**  
**Two piece set chrome tap filters (RF026)**

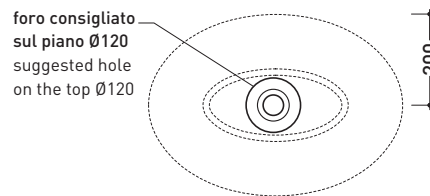
Package dim. 56,5 x 43 x 18,5 cm | Weight 10 kg | Pz. Pallet n° 24



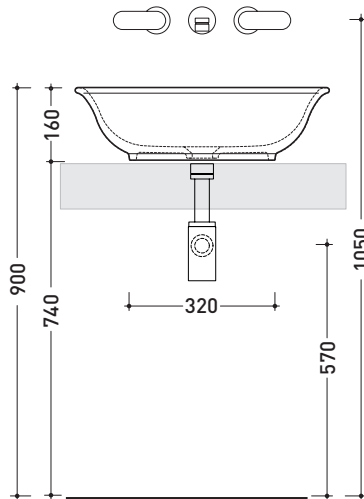
CE UNI EN 14688 - CL00 Dop-No14688



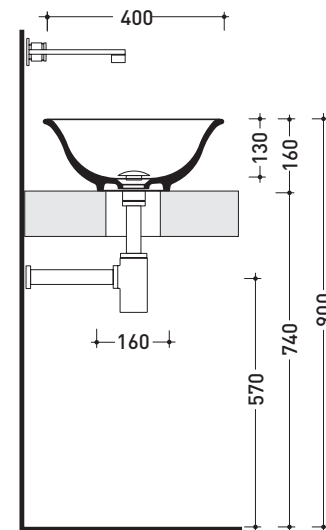
vista zenitale / zenital view



vista zenitale / zenital view



vista frontale / frontal view



sezione longitudinale / section

sizes in mm

CERAMIC: glossy finish



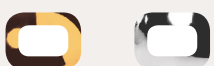
white black

matt finish



milky white carbone lava grey argilla nuvola fango rosso rubens petrolio

METAL



white / gold white / platinum

Please consider a 2% tolerance on indicated measurements