

PS31LM Pass 45x31

Countertop - wall hung small basin 45x31 cm

• WITH OVERFLOW • ARRANGED FOR RIGHT/LEFT SINGLE-HOLE TAP

Complements: **Line taps basin:** ONE - NOKÉ - FOLD
Line accessories: TWO - HOOP - NOKÉ - FOLD

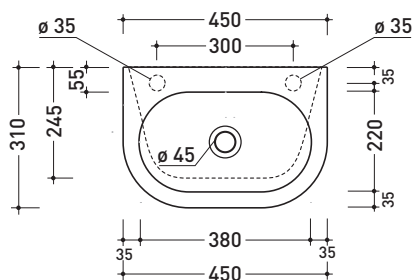
Technical accessories: **Chrome siphon (SIFL/CR) - Telescopic chrome siphon (SIFL066)**
Stop & Go drain (PLSG)
CERAMIC Stop & Go drain (PLCE)
Two piece set chrome tap filters (RF026)
Fixing kit for wall (9002)

Package dim.

Weight 11 kg

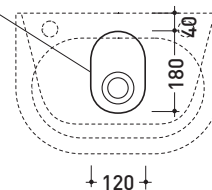
Pz. Pallet n° 36

CE UNI EN 14688 - CL20 Dop-No14688

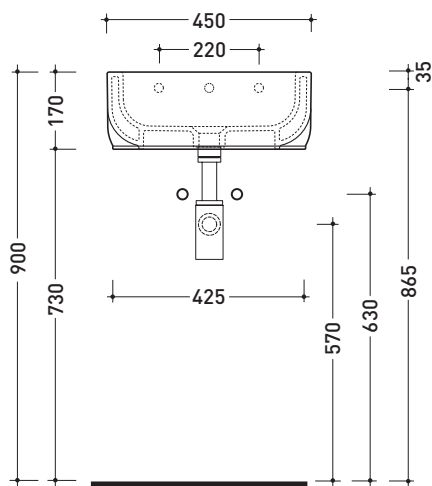


vista zenitale / zenital view

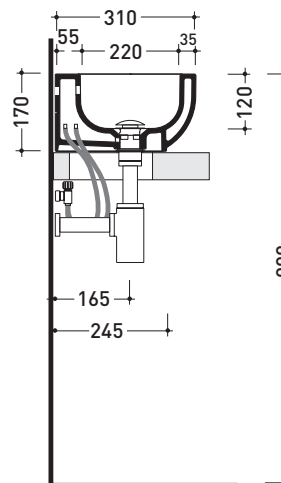
foro consigliato sul piano
suggested hole on the top



vista zenitale / zenital view



vista frontale / frontal view



sezione longitudinale / section

sizes in mm

CERAMIC: glossy finish



white

Please consider a 2% tolerance on indicated measurements