

## Technical Data Sheet

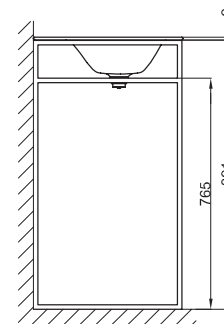
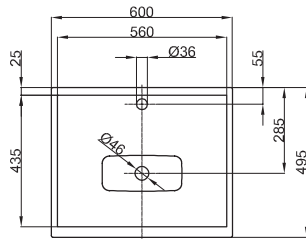


### BETTELUX SHAPE WASHBASIN

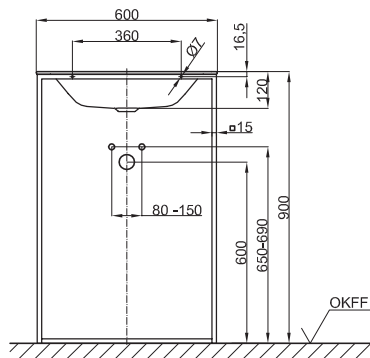
Built-in washbasin right angled for **BETTELUX SHAPE WASHBASIN FRAME**, 600 x 495 x 9 mm, enamelled inside and outside, with a taphole, without an overflow, incl. fastening material

Design: Tesseraux + Partner

article no.	A170 HLW1
dimension	60 x 49,5 x 0,9 cm
Colours	can be delivered in white glossy (000) and black glossy (056)
Extras	available with the easy-to-clean surface <b>BETTEGLAZE® PLUS</b>



### Dimensions for installation and connection



### BETTELUX SHAPE WASHBASIN FRAME

Frame for **BETTELUX SHAPE WASHBASIN**, steel, powder-coated fine structure matt

article no.	Q010
dimension	60 x 49,5 cm
Colours	can be delivered in <ul style="list-style-type: none"><li>• white (807)</li><li>• taupe (809)</li><li>• black (815)</li><li>• sky (816)</li><li>• mint (817)</li><li>• rose (818)</li></ul>