

PS50L_{Pass 50}

Countertop - wall hung basin 50 cm

• WITH OVERFLOW • ARRANGED FOR THREE HOLES TAP

Complements: **Forty6 shelf (F6PS50)**
Furniture BOX - depth. 50
Line taps basin: ONE - NOKÉ - SI - FOLD - X1
Line accessories: TWO - HOOP - NOKÉ - FOLD

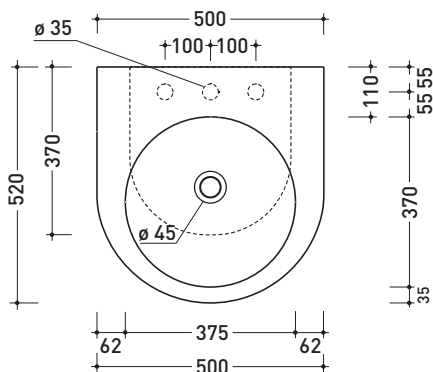
Technical accessories: **Chrome siphon (SIFL/CR) - Telescopic chrome siphon (SIFL066)**
Stop & Go drain (PLSG)
CERAMIC Stop & Go drain (PLCE)
Two piece set chrome tap filters (RF026)
Fixing kit for wall (9002)

Package dim.

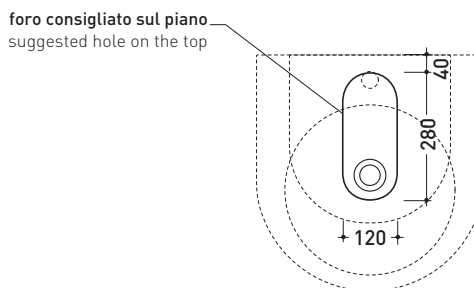
Weight **18 kg**

Pz. Pallet n° **20**

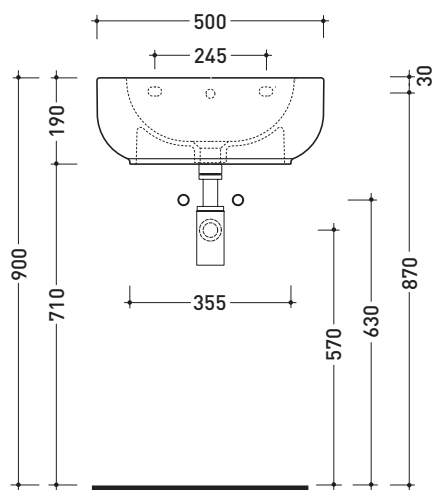
CE UNI EN 14688 - CL20 Dop-No14688



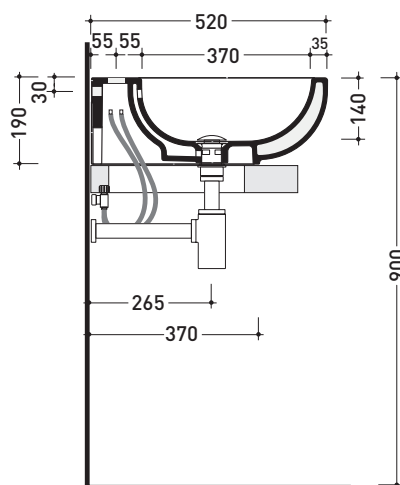
vista zenitale / zenital view



vista zenitale / zenital view



vista frontale / frontal view



sezione longitudinale / section

sizes in mm

CERAMIC: glossy finish



white

Please consider a 2% tolerance on indicated measurements