

QK117

Back to wall wc with S/P trap

Complements: Soft-closing thermosetting wrapping seat&cover (QKCW07)
 SLIM soft-closing thermosetting seat&cover (QKCW09)
 Niagara monoblock cistern (TR39)
 Line accessories: TWO - HOOP - NOKÈ - FOLD

Technical accessories: Drainage connector for floor trap (LK/CON)
 Floor fixing kit (9003)

Package dim.

Weight 24,5 kg

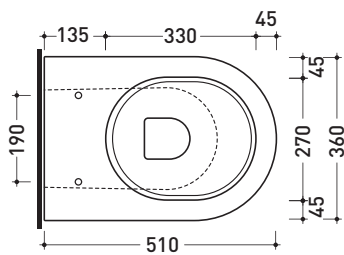
Pz. Pallet n° 18

CE UNI EN 997

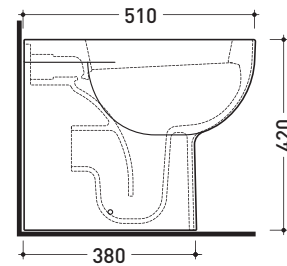
Dop-No997



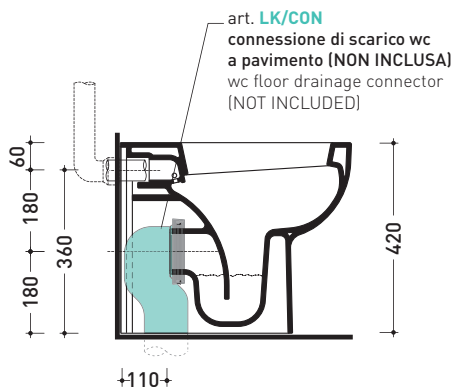
Flaminia does not recommend combining this toilet model with rapid-flow/flushometer systems or traditional high tanks



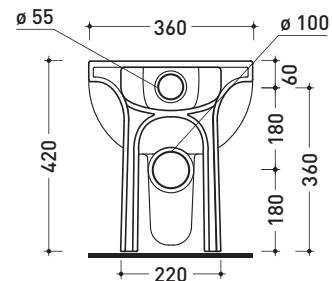
vista zenitale / zenital view



vista laterale / lateral view



sezione longitudinale / section



vista retro / back view

sizes in mm

CERAMIC: glossy finish



white

Please consider a 2% tolerance on indicated measurements