

## POLAIR F36A0300

Flynn Talbot

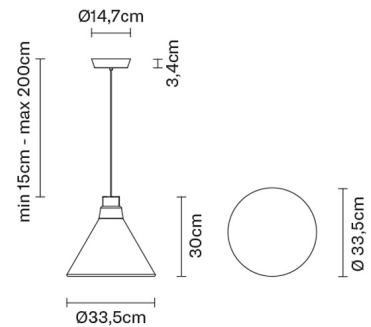


### Description

Pendant lamp with transparent borosilicate glass diffuser, sandblasted on the bottom. Copper-plated aluminium structure.



### Dimensions



### Voltage

220-240V

### Dimmable LED

PUSH 1..10V

### Material

Glass - Aluminium

### Light source and alternative bulbs

LED 1x14W-40°  
WHITE 3000K  
1200lm Cri >80

### Available diffuser colours

Transparent

Energetic class A++



### Available structure colours

Black

Copper

### Included accessories

LED  
Dimmable electronic driver

### Weight

Net: 2.42 kg  
Gross: 3.52 kg

### Packaging

Volume: 0.075 m<sup>3</sup>  
Number of boxes: 1

### Specs

**EAC** IP20