

**Item type**  
Chandelier

**Item name**  
Randall

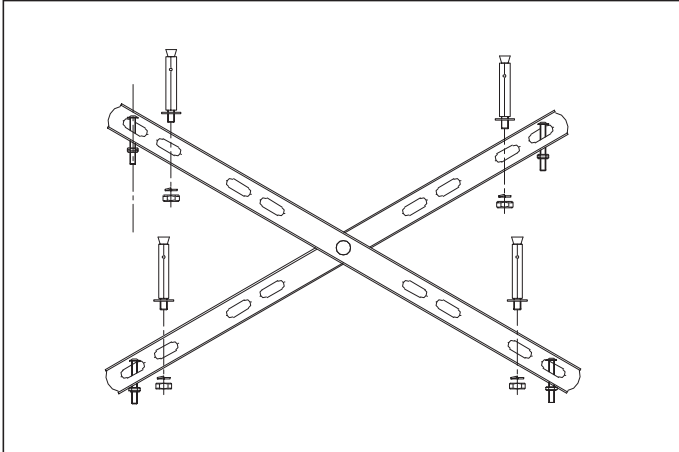
**Item no**  
113467

**Attention!** Do not connect your luminaire to electricity until it is fully assembled.

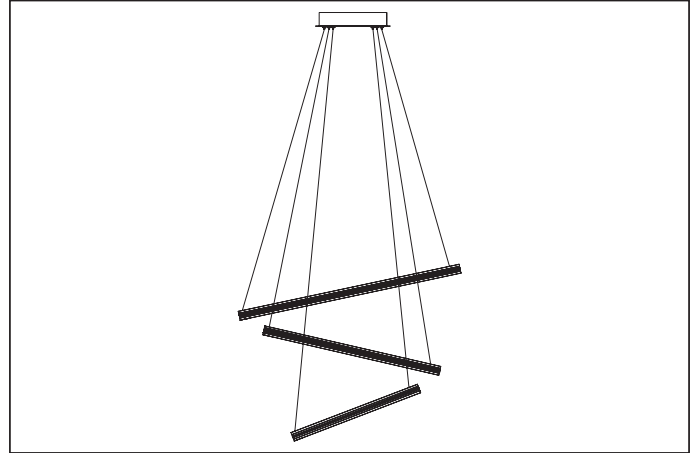
**Care instructions:**  
Wipe with a soft dry cloth, do not use chemicals or abrasive cleaning materials.

**Eichholtz B.V.**  
Delfweg 52  
2211 VN Noordwijkerhout  
The Netherlands

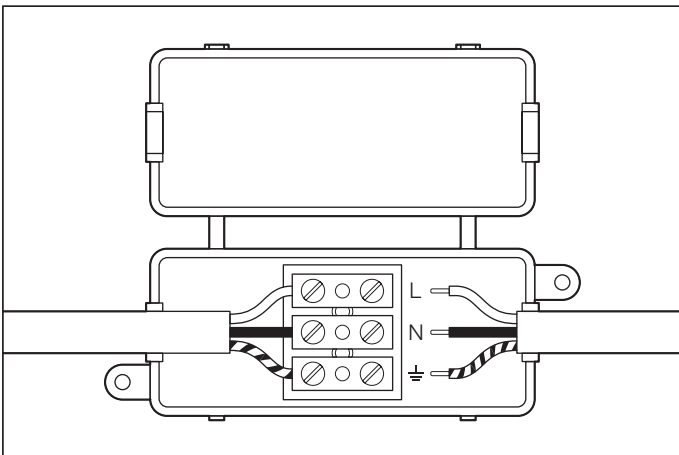
🏠 [www.eichholtz.com](http://www.eichholtz.com)  
✉ [service@eichholtz.com](mailto:service@eichholtz.com)  
☎ +31 (0)252 515 850



**1.** Fix the crossbar to the ceiling by using mounting plugs and screws suitable to your ceiling type.

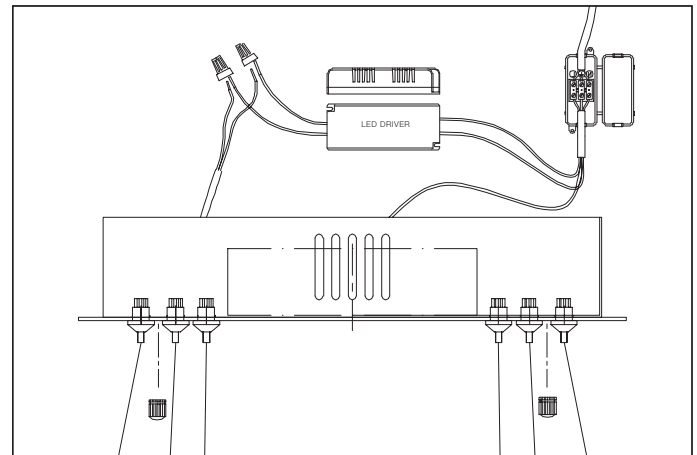


**2.** Determine the approximate desired height of the lamp and position of the rings and adjust the length of the steel wires by pressing the wire lock on the ceiling canopy and pulling/pushing the wire through. Adjust the height of the electric wires by pulling them through the wire nuts and fix each wire in the correct position with the screw on the side.

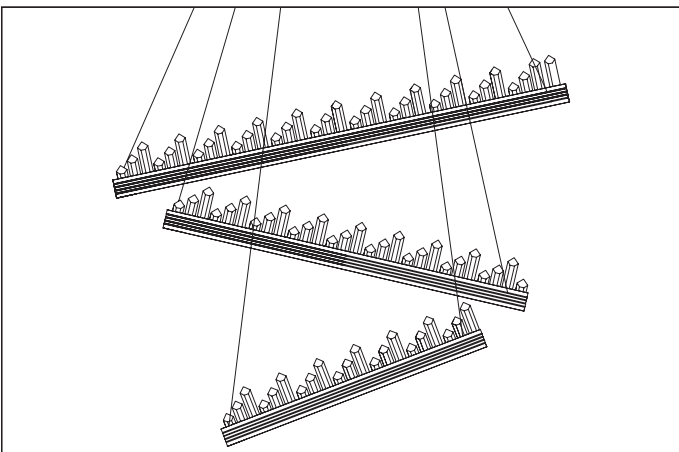


**3.** Connect the 3 wires according to their colours. Brown is the live wire, blue is the neutral wire, green/yellow is the earth wire.

The LED driver is suitable to be used in combination with a LED dimmer (not included).



**4.** Place the canopy over the crossbar and fix it with the four nuts.



**5.** Place the crystal glass decorations in each ring; 37 pcs of each size in the large ring, 29 pcs of each size in the medium ring and 21 pcs of each size in the small ring. Keep approximately 3-5mm space between them for better distribution of the light.