

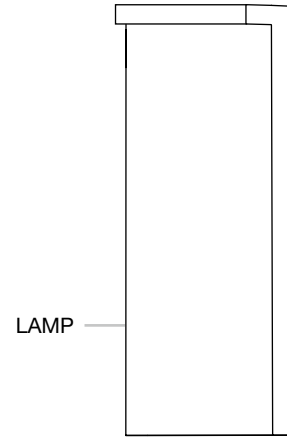
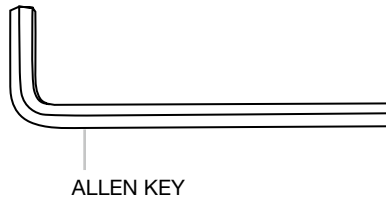
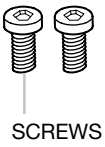
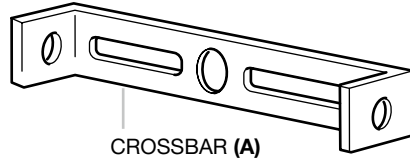
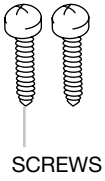


E I C H H O L T Z

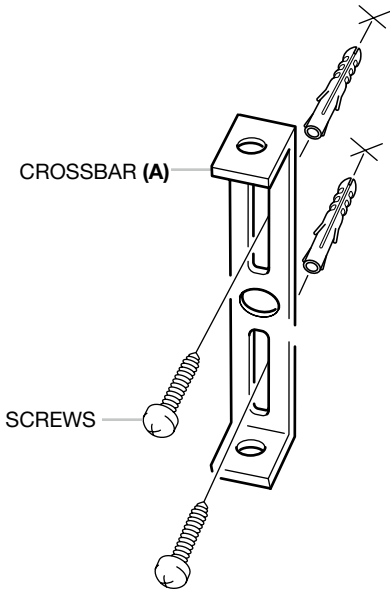
112166 WALL LAMP VERSUS

ASSEMBLY INSTRUCTION

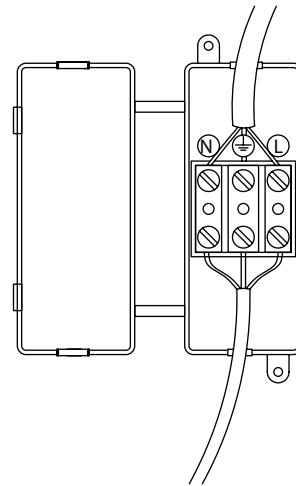
PARTS



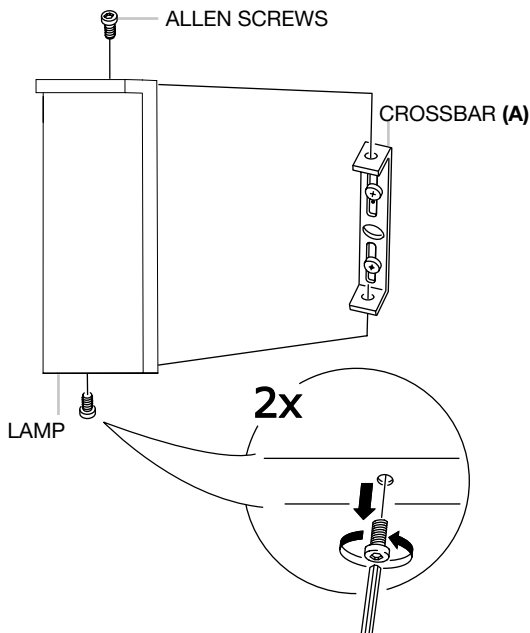
1



2



3



Switch off the power at the main switchboard.

Fix the crossbar (A) to the wall by using wall mounting plugs and screws suitable to your wall type.

Connect the 3 power wires according to their colours. Brown is the live wire, blue is the neutral wire, the green yellow wire is the earthwire.

Place the lamp over the cross bar and fix it securely with the screws (B) supplied.

Remove the fabric lampshade and place the bulb to the lampholder. Connect the lampshade to the frame with the hole, fixed well.