

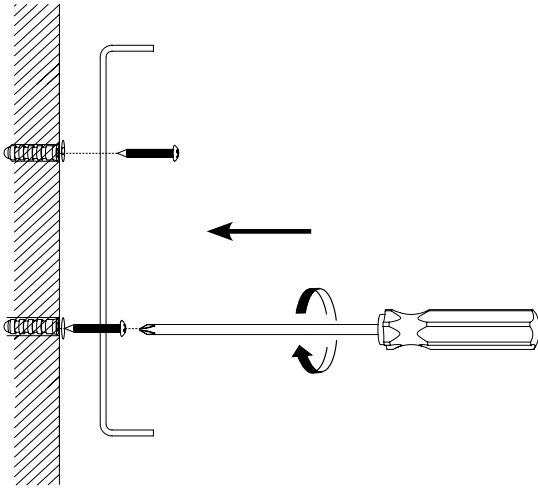


E I C H H O L T Z

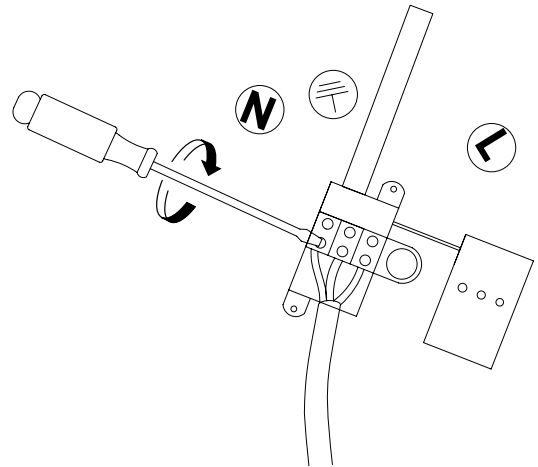
112647 WALL LAMP JADE

ASSEMBLY INSTRUCTION

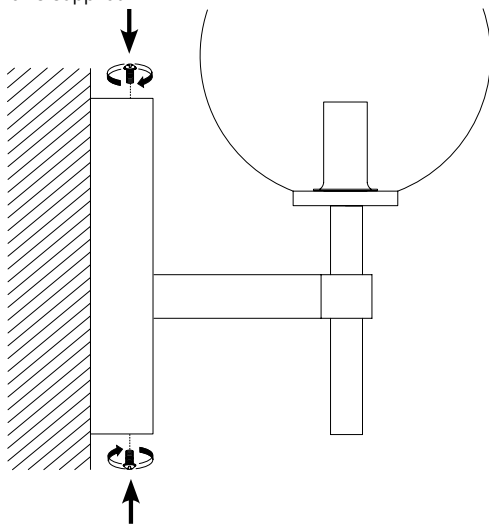
- 1** Fix the wall plate to the wall by using wall mounting plugs and screws suitable to your wall type.



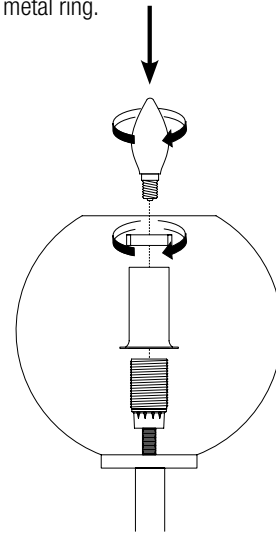
- 2** Connect the 3 wires according to their colours. Brown is the live wire, blue is the neutral wire, green/yellow is the earth wire.



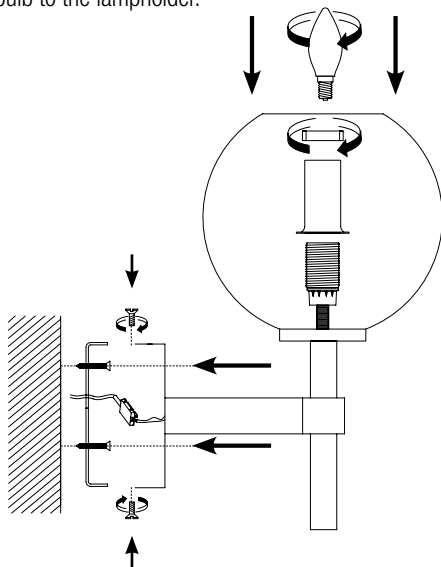
- 3** Place the lamp over the wall plate and fix it securely with the screws supplied.



- 4** Place the glass shade then through the metal tube on the lampholder and fix it with the metal ring.



- 5** Place the bulb to the lampholder.



FINAL

