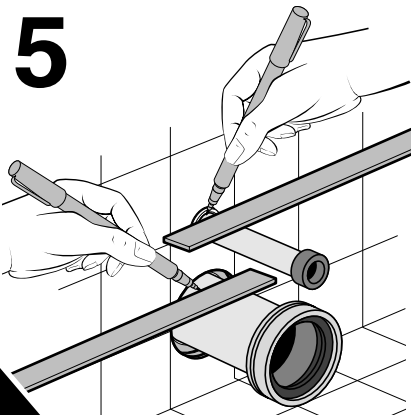
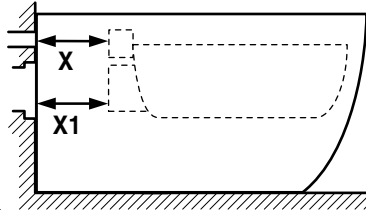


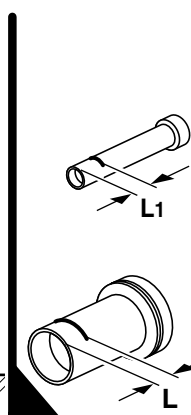
5



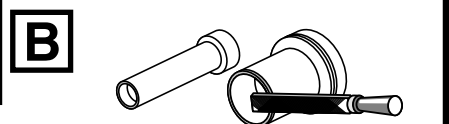
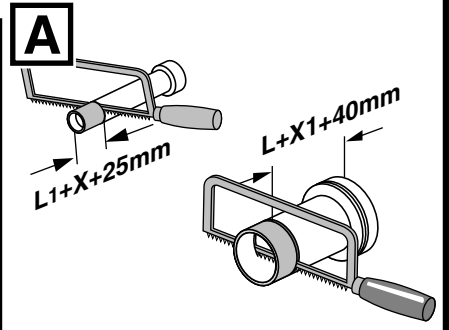
A



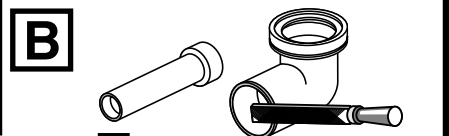
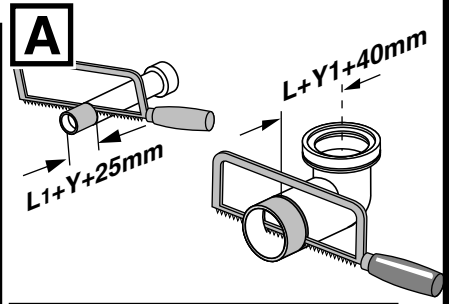
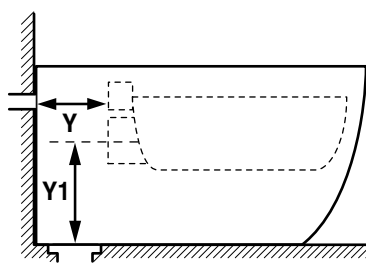
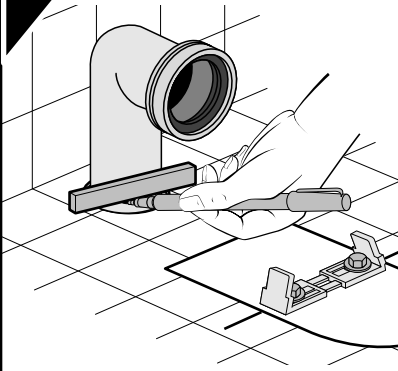
B



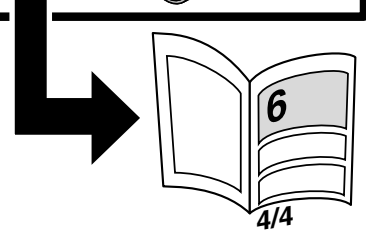
C



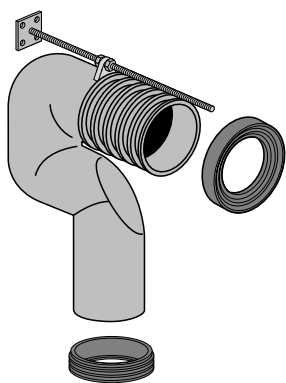
B



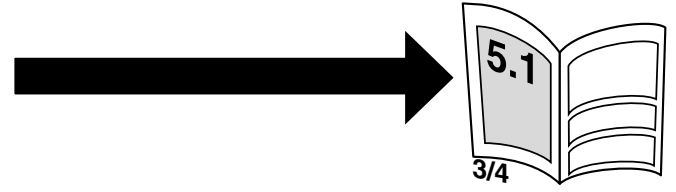
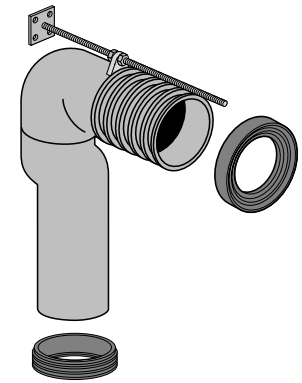
B



Villerooy & Boch
1748
870100

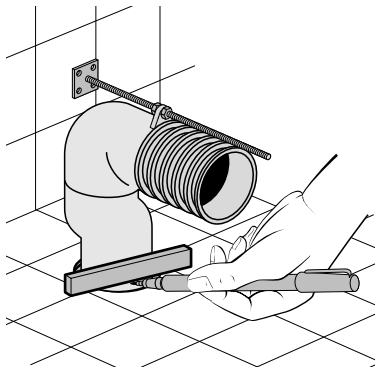


Villerooy & Boch
1748
871100

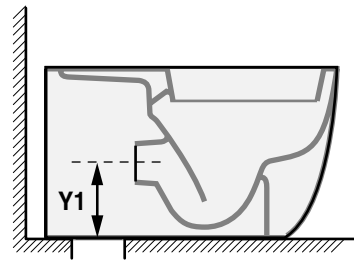


5.1

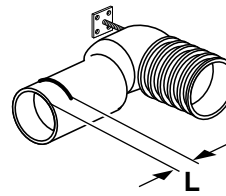
A



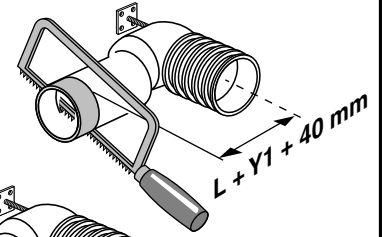
B



C



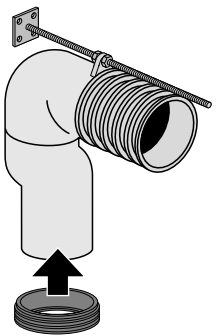
D



E



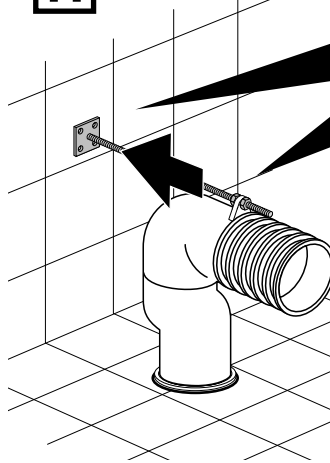
F



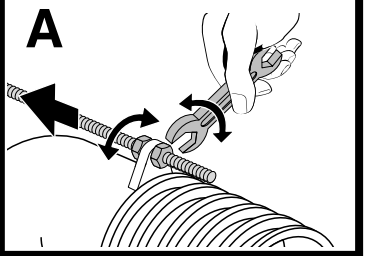
G



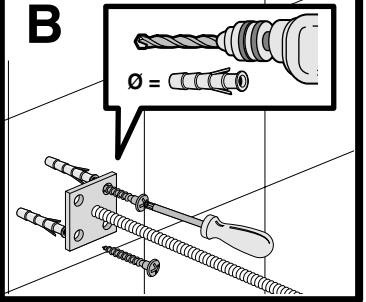
H



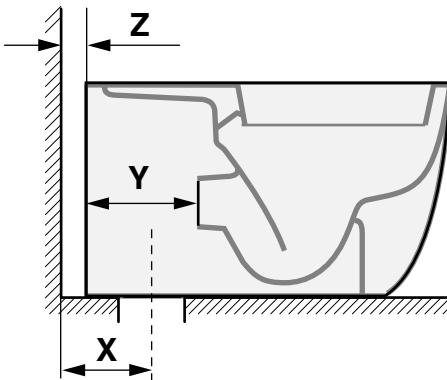
A



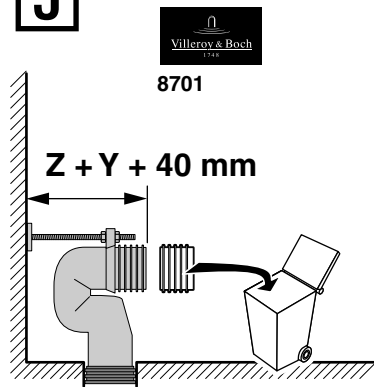
B



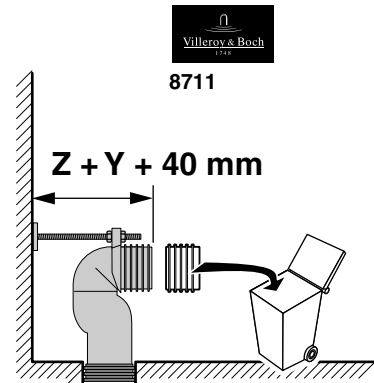
I



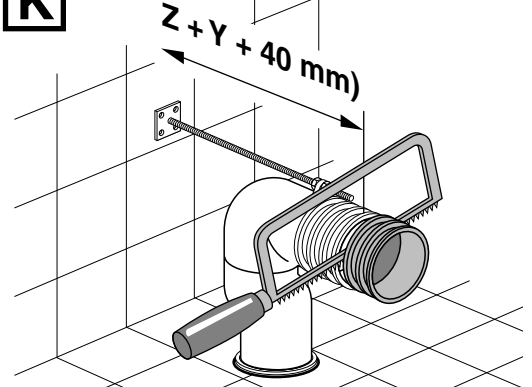
J



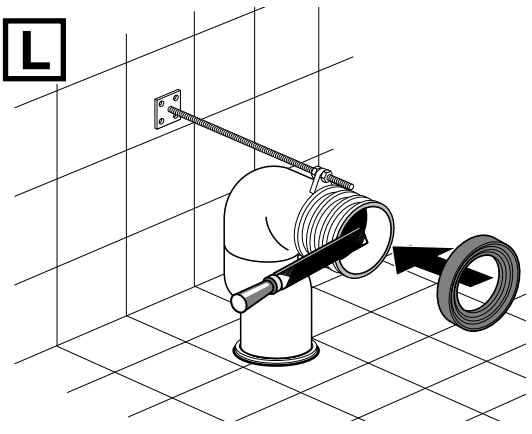
J



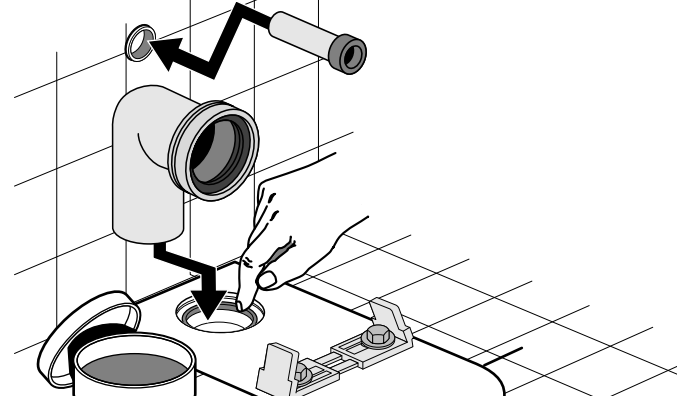
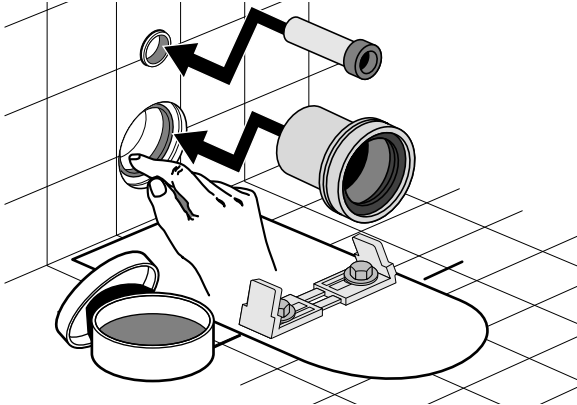
K



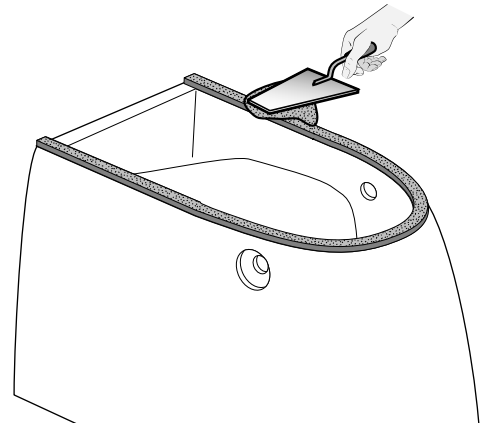
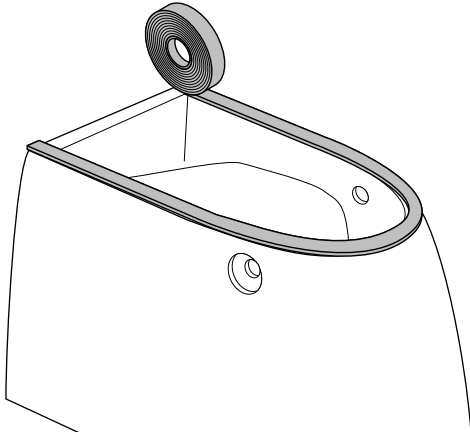
L



6



7



8

