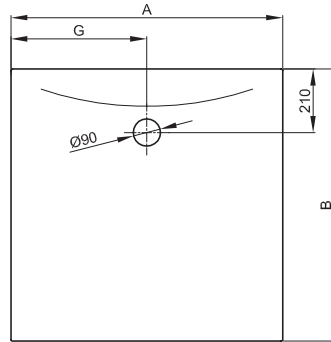
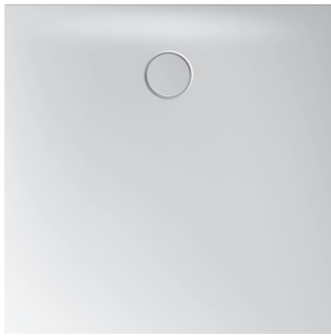
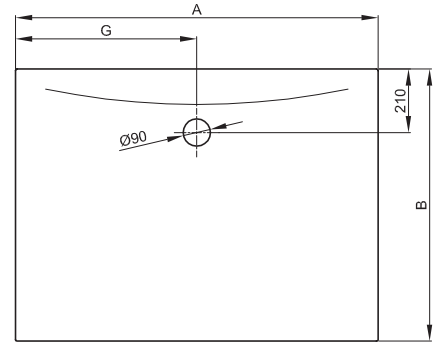


## BETTEFLOOR SIDE



same shank length



different shank length

Design: Tesseraux + Partner

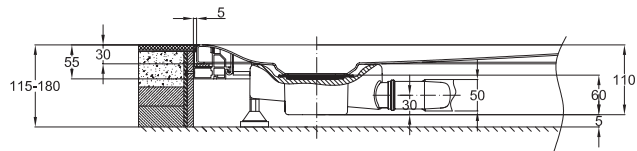


illustration with shower waste **BETTEFLOOR** - 0,85 l/s,  
standard water storage height 50 mm

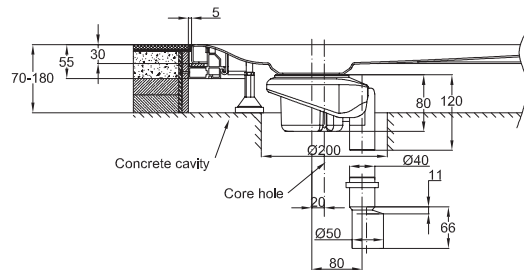
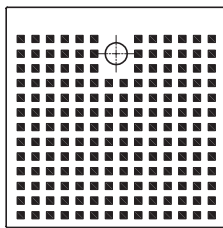


illustration with shower waste - 0,6 l/s,  
standard water storage height 50 mm

available with the anti-slip for **BETTEFLOOR SIDE**

dimension	A	B	G	article no.	drain
90 x 90 cm	900	900	450	3381	Ø 90
100 x 80 cm	1000	800	500	3388	Ø 90
100 x 90 cm	1000	900	500	3385	Ø 90
100 x 100 cm	1000	1000	500	3382	Ø 90
110 x 90 cm	1100	900	550	3396	Ø 90
120 x 80 cm	1200	800	600	3387	Ø 90
120 x 90 cm	1200	900	600	3380	Ø 90
120 x 100 cm	1200	1000	600	3383	Ø 90
120 x 120 cm	1200	1200	600	3391	Ø 90
130 x 90 cm	1300	900	650	3398	Ø 90
130 x 100 cm	1300	1000	650	3399	Ø 90
140 x 80 cm	1400	800	700	3379	Ø 90
140 x 90 cm	1400	900	700	3384	Ø 90
140 x 100 cm	1400	1000	700	3386	Ø 90
140 x 120 cm	1400	1200	700	3394	Ø 90
150 x 90 cm	1500	900	750	3393	Ø 90
150 x 100 cm	1500	1000	750	3389	Ø 90
150 x 120 cm	1500	1200	750	3395	Ø 90
160 x 90 cm	1600	900	800	3390	Ø 90
160 x 100 cm	1600	1000	800	3397	Ø 90
160 x 120 cm	1600	1200	800	3392	Ø 90

all measurements in mm.