

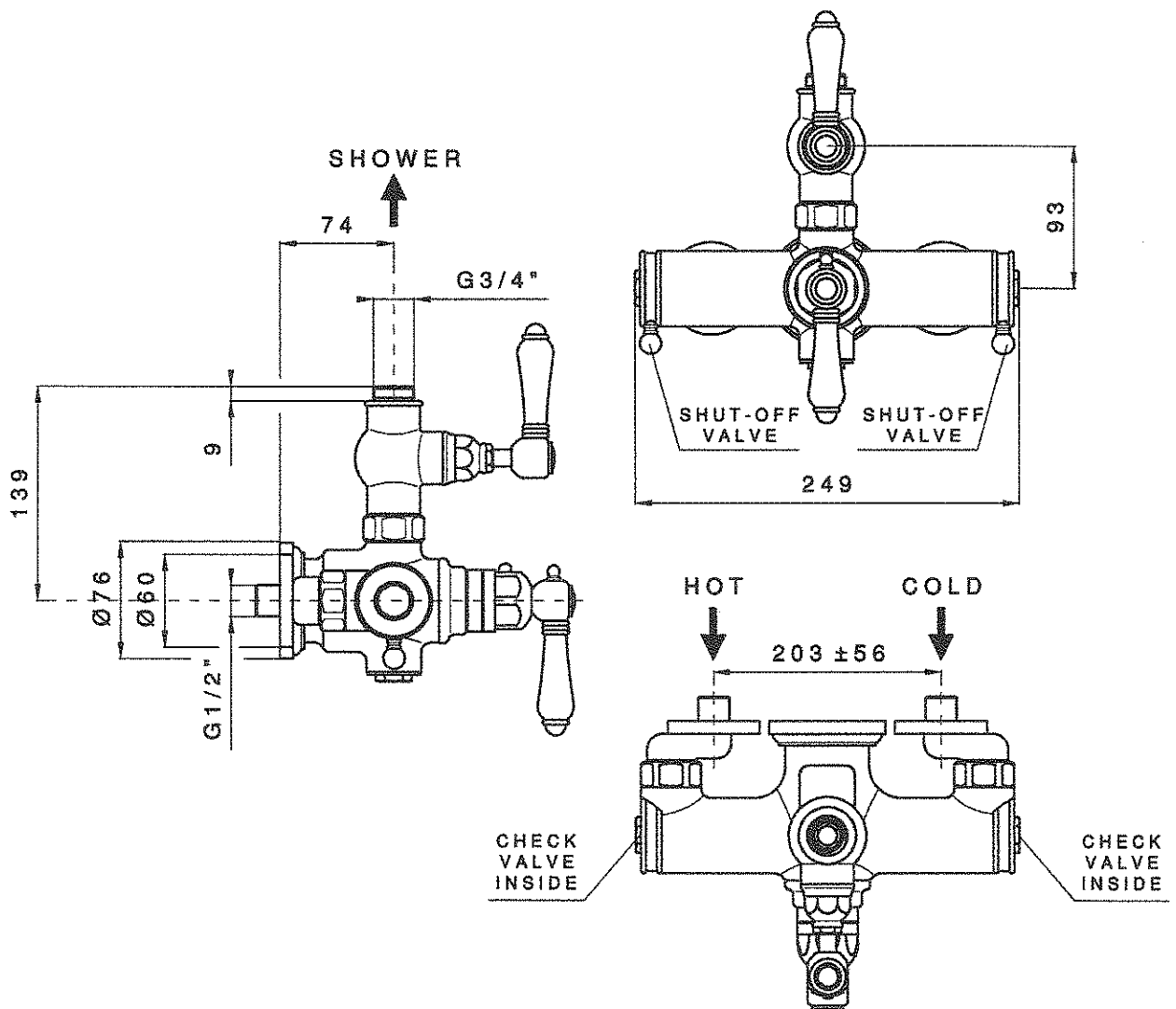
Nicolazzi

28010 ALZO (NO) via P.Durio 119 Tel. 0322-969672 Fax 0322-969532 www.nicolazzi.it info@nicolazzi.it

4917 EXPOSED THERMOSTATIC MIXER

General Warnings and notes

1. The 4917 is supplied with a volume control for the top outlet. The thermostatic body kit and volume control kit are disassembled in the same packages. You must assemble both for a complete item.
2. The thermostatic body has secondary stops for servicing only. Do not leave the valve unattended during servicing. Do not leave the service stops in the off position with the thermostatic cartridge removed for any longer than servicing is necessary. No longer than 15 minutes.



SPECIFICATION AND ITEM MEASUREMENTS

1. Hot will be on the left when viewed from the front. The volume control outlet are on the top. Warning: The valve is port specific. Cold must be on the cold port and hot must be on the hot port.
IMPORTANT: THE DISTANCE FROM CENTRE OF COLD WATER INLET TO CENTRE OF HOT WATER INLET MUST BE 203 ± 56 .
2. THE 4917 IS SUPPLIED WITH A VOLUME CONTROL FOR THE UPPER OUTLET ONLY. YOU MUST INSTALL THIS VOLUME CONTROL FOR THE UPPER OUTLET IN ALL INSTALLATION.
3. The mounting central holder should be utilized for stability
4. Do not move the thermostatic setting. There is a red dot on the thermostatic spindle that will line up with a dowel thread placed on the body. If this is moved, manually set the valve for 38°C with the lever at 6 O'clock. Temperature cartridge is pre-set at the factory.
5. Sweat connections are not recommended. Heating the valve may damage the cartridge, screens or/and one-way valves.
6. Flush the valve after installation. Service stops are included in the rough to assist in flushing and servicing the rough. Do not leave the valve unattended during servicing. Do not leave the service stops in the off position with the thermostatic cartridge removed for any longer than servicing is necessary. No longer than 15 minutes.
7. When installing 2 thermostatic valves in one area, the hot water supply must be dedicated to each valve. Sharing the hot water supply may result in inconsistent hot water delivery.
8. If further building work is to be carried out in the vici of the faucet, it should be covered to prevent paint, adhesive, etc. from damaging the surface.

TECHNICAL INFORMATION

RECOMMENDED HOT WATER SUPPLY FROM WATER HEATER: 60°C
MINIMUM: 48°C MAXIMUM: 85°C

RECOMMENDED PRESSURE REQUIREMENTS: 3 bar
MINIMUM: 1 bar MAXIMUM: 5 bar

IMPORTANT: THE WATER PRESSURE ON THE HOT AND COLD SUPPLIES MUST BE THE SAME PRESSURE OR THE VALVE WILL NOT MIX HOT AND COLD WATER PROPERLY. MAXIMUM PRESSURE DIFFERENCE BETWEEN HOT AND COLD IS 1 bar.

FLOW RATE: 33 l/min AT 2.5 bar

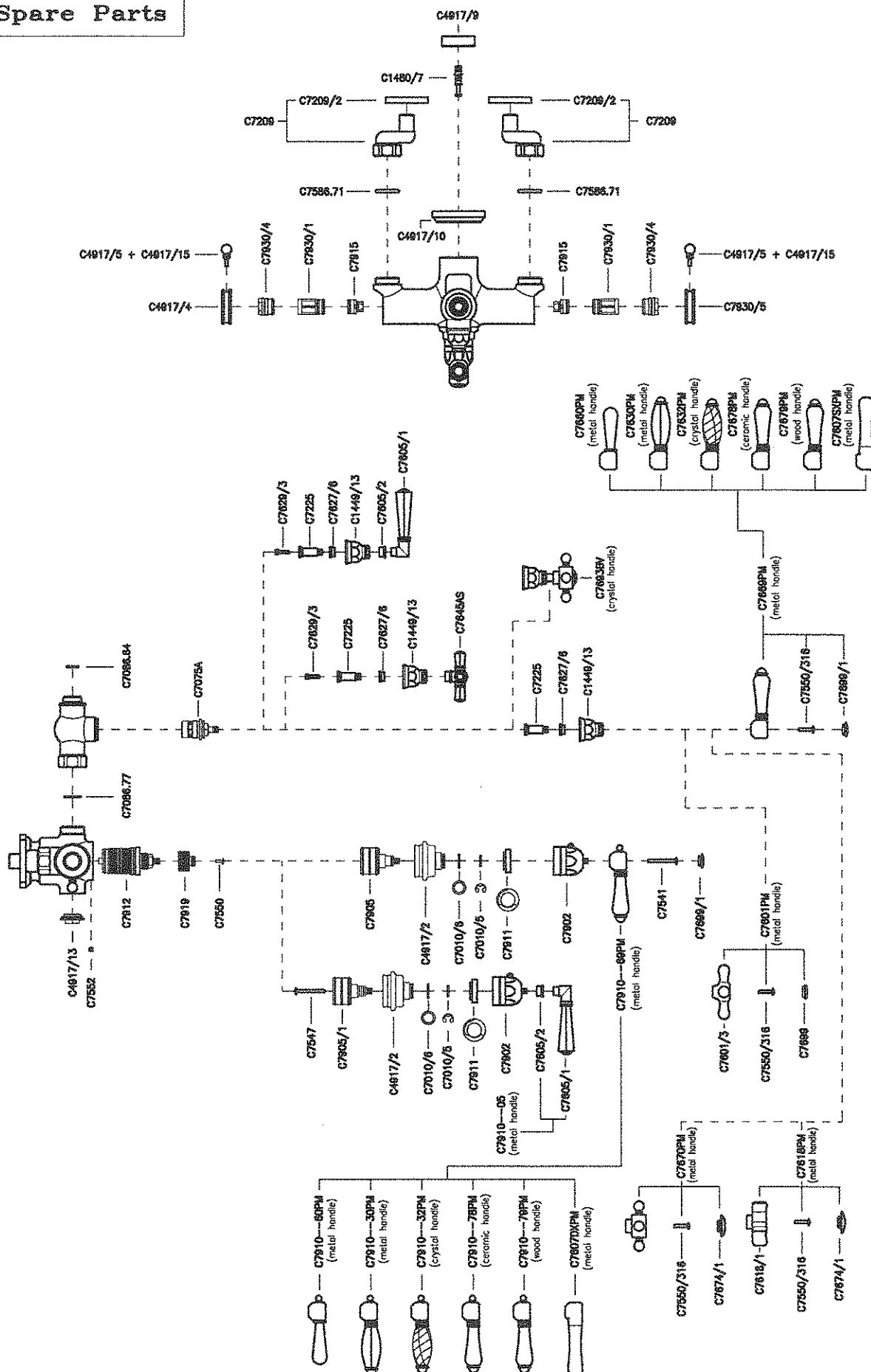
FACTORY SETTING OF THERMOSTATIC CARTRIDGE: 38°C
CARTRIDGE CAN BE MANUALLY SET AFTER INSTALLATION ONLY IF NEEDED. SEE INSTALLATION INSTRUCTION SECTION.
ANY POSSIBLE MOVEMENT OF THE SPINDLE BEFORE INSTALLATION MAY CAUSE IMPROPER TEMPERATURE DELIVERY

CONNECTIONS: G 1/2"

THERE ARE PRIMARY SCREENS ON THE HOT AND COLD INLETS TO PROTECT THE CARTRIDGE FROM DEBRIS.

PARTS LIST

Spare Parts



INSTALLATION

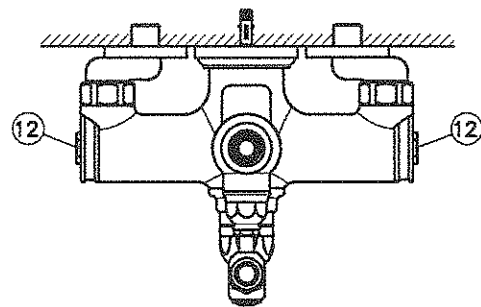
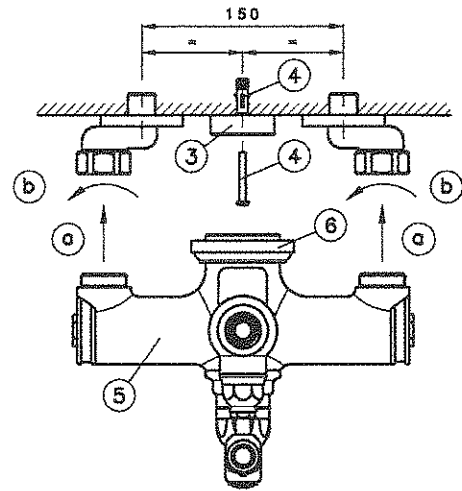
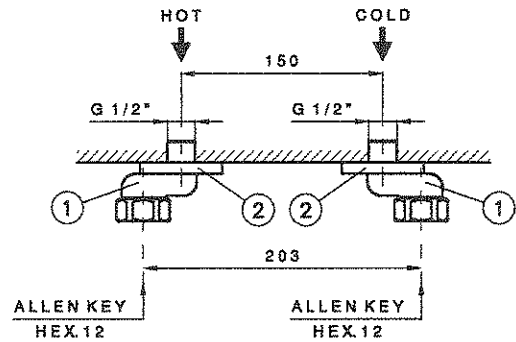
Note: The volume control is disassembled in the box. The loose parts are:

1. Wall connections kit C7209.
2. Central holder (C4917/9+C1480/7) with sliding ring (C4917/10).
3. The volume control kit with O-Ring (C7586.77+C7586.64).

INSTALLATION:

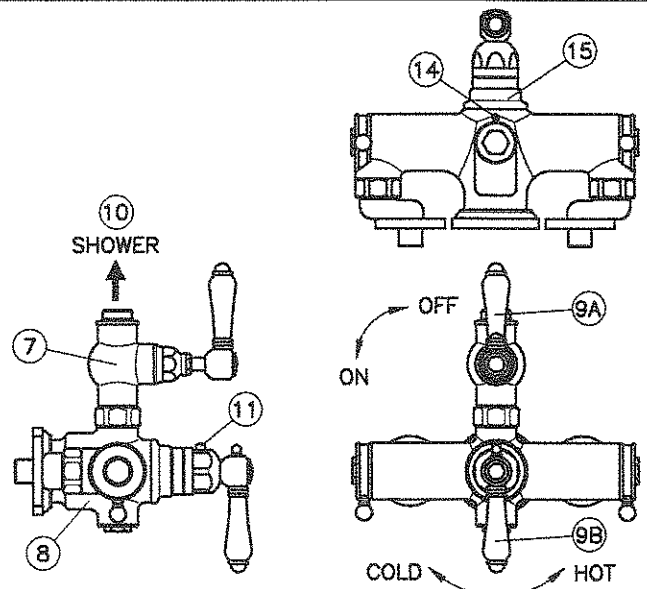
1. Install the wall connections C7209 (1) with an allen key (not supplied) placing before the sliding caps C7209/2 (2).
2. Install the central holder C4917/9 (3) with a dowel kit C1480/7 (4).
3. Connect the thermostatic body (5) to the wall connections (1) having care to place the O-Ring between the two parts.
4. Slide the rings (2 and 6) to the wall.
5. Assemble the volume controle (7) to the thermostatic body (8) having care to place the O-Ring between the two parts.
6. Connect the external shower to the shower outlet (10) having care to place the O-Ring between the two parts.
7. Eusure all connections are firmly tichtness.
8. Check hot and cold water pressure and temperature values (please see "technical information" section).
9. Turn on the water supply to the faucet and check the istallation carefully for leaks.
10. Test the valve.

Please note: if you need a cartdrige calibration in place of troubleshooting requirement please see the section "changing thermostatic control cartridge".



OPERATION OF VALVE

- ROTATING THE HANDLE (9A) COUNTER CLOCKWISE THE WATER WILL TURN ON AND TURN OFF IF CLOCKWISE.
- WITH THE HANDLE IN THE 6 O'CLOCK POSITION (9B), THE VALVE SHOULD RUN AT 38°C.
- PUSHING THE HOT LIMIT STOP (11) IN AND ROTATING THE HANDLE COUNTER CLOCKWISE, THE WATER WILL GET WARMER.
- MOVING THE HANDLE CLOCKWISE WILL PRODUCE COOLER WATER.



CARE AND MAINTENANCE

Cleaning the filtration system

- i. To clean the filters if there is low flow or low temperature:
 1. Set the volume control (9A) to off or 12 o'clock.
 2. Place the lower thermostatic lever (9B) at 6 o'clock.
 3. Turn the hot and cold supplies off: See "Using the service stops".
 4. Remove the external hexagonal nut (12) to extract the filter.
 5. Flush the filters.
 6. Flush the lines to remove any debris.
 7. Reverse the steps to re-assemble.

Changing the volume control cartridge

- i. To change the volume control cartridge:
 1. Set the volume control (9A) to off or 12 o'clock.
 2. Place the lower thermostatic lever (9B) at 6 o'clock.
 3. Turn the hot and cold supplies off: See "Using the service stops".
 4. Remove the volume control cartridge.
 5. Install the new volume control cartridge.
 6. Reverse the steps to re-assemble.

Changing thermostatic control cartridge

- i. To change the thermostatic control cartridge:
 1. Set the volume control (9A) to off or 12 o'clock.
 2. Place the lower thermostatic lever (9B) at 6 o'clock.
 3. Remove the cartridge setting kit (13) by removing the dowel C7552 (14). Be careful to retain all parts.
 4. Turn the hot and cold supplies off: See "Using the service stops".
 5. Remove the thermostatic control cartridge.
 6. Install the new thermostatic cartridge.
 7. Turn the hot and cold supplies on: See "Using the service stops".
 8. To calibrate the thermostatic cartridge:
 - a. With the cartridge setting kit (13) off, turn the volume control on to one of the functions.
 - b. With a thermometer, turn the cartridge control counter clockwise until you get 38°C at the outlet. Do not over twist the cartridge. There are internal stops that can be broken if it is turned beyond the stop.
 - c. Turn the water off.
 9. Reverse the steps to re-assemble.

CARE AND MAINTENANCE

Cleaning

Clean the chromium plated surfaces with soap and water or with mild liquid detergent. Do not use any abrasive cleaners or chloride bleach.

The gold plated or nickel plated surfaces; even if make on thickness way; must be cleaned only with a damp cloth or with a non abrasive and acid fluid very diluted.
Use the same cleaning procedure for all other finishings.

WARNING: the use of cleaning products not recommended might irreparably harm the surfaces of the faucets which in such case are not covered by our warranty.

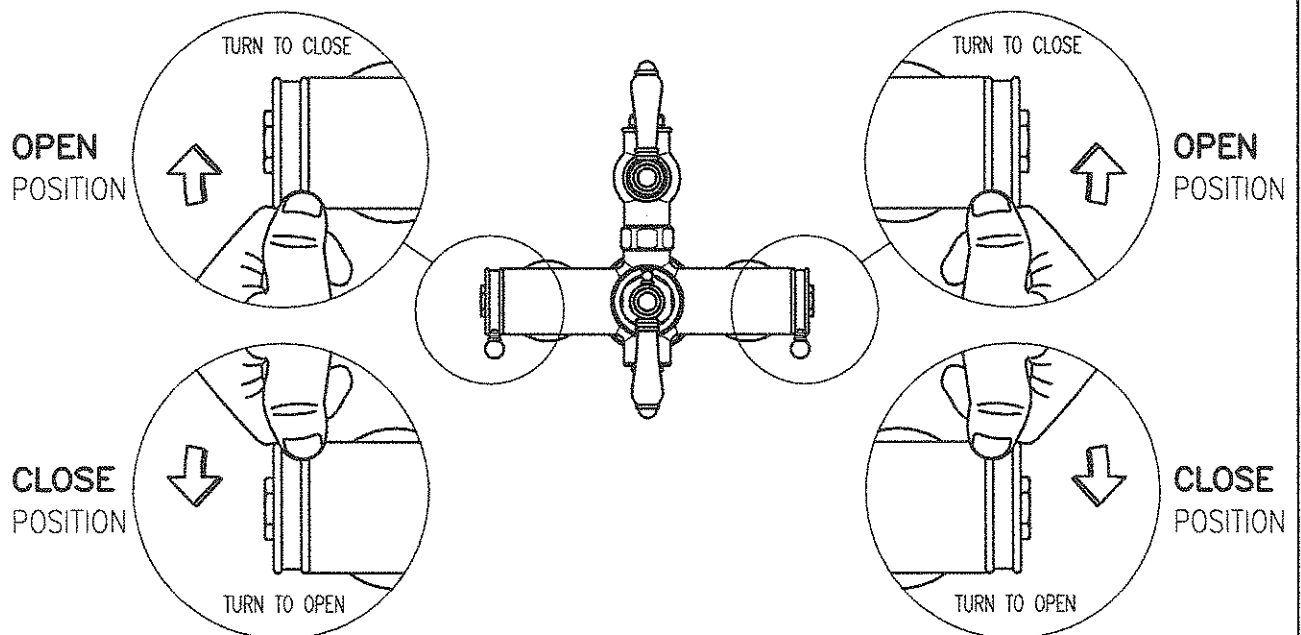
SERVICING

Using the service stops

THE SHUT-OFF VALVE IS NOT A STOP COCK, BUT ONLY A VALVE THAT ALLOWS TEMPORARY SHUT-OFF FOR MAINTENANCE OPERATIONS LIKE FILTER CLEANING, FLUSHING THE VALVE AND CARTRIDGE REPLACEMENT

Do not leave the valve unattended during servicing. Do not leave the service stops in the off position with the thermostatic cartridge removed for any longer than servicing is necessary. No longer than 15 minutes.

When the valve is closed, you could notice a slight drip. This is normal. DO NOT ALLOW THE WATER TO COLLECT IN THE WALL CAVITY. FUNNEL THE WATER AWAY FROM THE INNER WALL CAVITY TO THE SHOWER STALL.



TROUBLESHOOTING

	INDICATION OF MALFUNCTION	CAUSE OR DIAGNOSIS	POSSIBLE REMEDIES	FURTHER ATTENTION	
1	The water does not get hot enough, but there is variation in temperature.	The pre-set temperature is too low. Verify with the face plate off, to test the cartridge, by rotating the stem counter clockwise all the way for the hottest setting.	Remove the cartridge setting kit and re-set the valve according to the instructions.	Don't automatically change the cartridge.	The cartridge setting was checked during installation
2	The water does not get cold enough, but there is variation in temperature.	The pre-set temperature could be too high. With standard setting, absolute cold is not possible.	Remove the cartridge setting kit and re-set the valve according to the instructions.	Don't automatically change the cartridge.	If you lower the setting to get colder water, you could get less hot water.
3	On the cold setting, there is hot water, and on the hot setting, there is cold water. There is no mix of hot and cold at all.	The lines could be reversed. <u>The plumber must make this decision.</u>	The valve is port specific. The hot supply must be on the left and cold on the right as you face the valve. Have the plumber verify by feeling the pipes, or removing the cartridge, that the water lines are reversed before switching the lines.	Switching the pipes can be expensive. The diagnosis must be done at the home.	
4	The water temperature does not change when the handle is moved.	The cartridge stem is not contacting the handle assembly.	2 possible things might have happened: 1. The brass adaptor C7919 may be damaged. 2. The cartridge might be faulty.	Don't automatically change the cartridge.	
5	After a period of time, the water gets cold. It starts out hot, but then goes cold.	You might be running out of hot water. Ask how long, in minutes, this takes to happen.	Thermostatic valves can run at 33 l/min. Find out the water heater capacity and divide by length of the shower in minutes for a function i.e. 100 litres capacity divided by showerhead flow of 16 l/min = approx 6 minutes hot water	Don't automatically change the cartridge.	
6	The flow gradually decreases.	There could be debris in the line.	Clean the filters and flush the lines according to the instructions.	Don't automatically change the cartridge.	
7	The flow stops.	The built in safety feature is stopping flow immediately if there is a decrease in temperature.	1. The valve could be operating properly. 2. There could be complete blockage in one of the supply lines.	Don't automatically change the cartridge.	
8	There is no flow on start-up.	1. There could be complete blockage in one of the supply lines. 2. The non-return lines may not be opening.	1. Clean the filters and flush the lines according to the instructions. 2. Check the non-return lines are installed correctly.	Don't automatically change the cartridge.	
9	Noise in the valve	1. Debris is causing noise 2. Check the one way valves	1. Flush the system 2. Change the one way valve	The valve cannot make noise by itself. Changing the cartridge is the last option	
10	Inconsistent or low temperature delivery	1. On demand water heater cannot keep up with the demand of the valve. 2. The pressure difference from the water supply is more than 1 bar 3. If a well system, the pressure could be fluctuating.	Consult your plumber. A professional needs to diagnose the problem.		