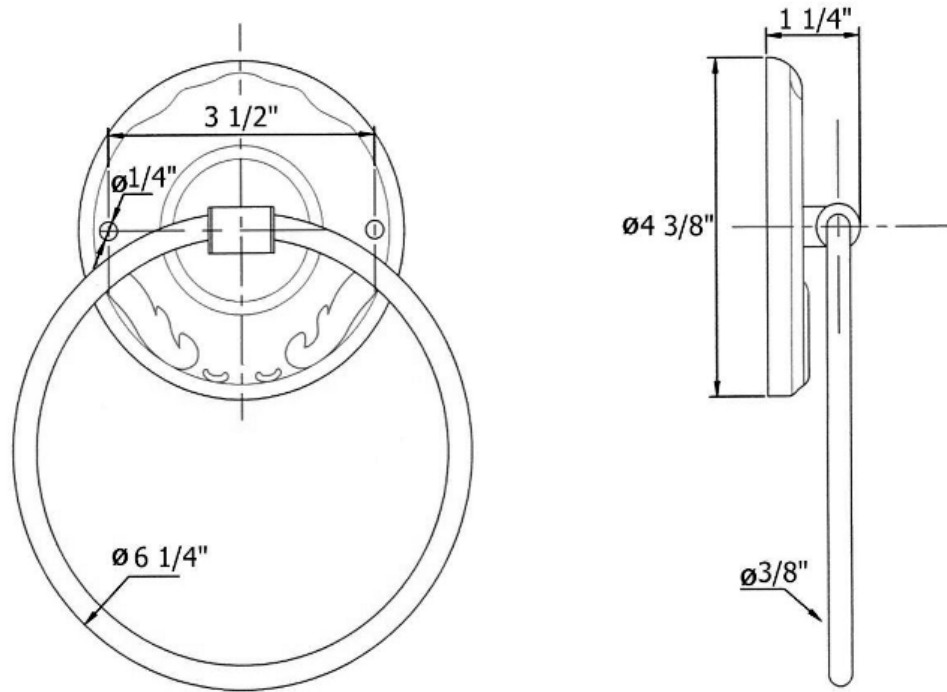


# 1116 - 'Charleston' 6" Towel Ring



## Technical Information

- Available finishes are Polished Chrome(48), SoliBrass(49), Old Gold(52), Old Silver(53), Polished Brass(55), Polished Nickel(56), Brushed Nickel(57), Satin Nickel(60), Weathered Brass(70).
- Please see cleaning instructions:  
<http://herbeau.com/CleaningAll.pdf> for finish care and maintenance information.

## Part#

01  
02  
03  
04

## Description

Ceramic Escutcheon  
Plastic Insert  
Finished Ring  
Finished Screw

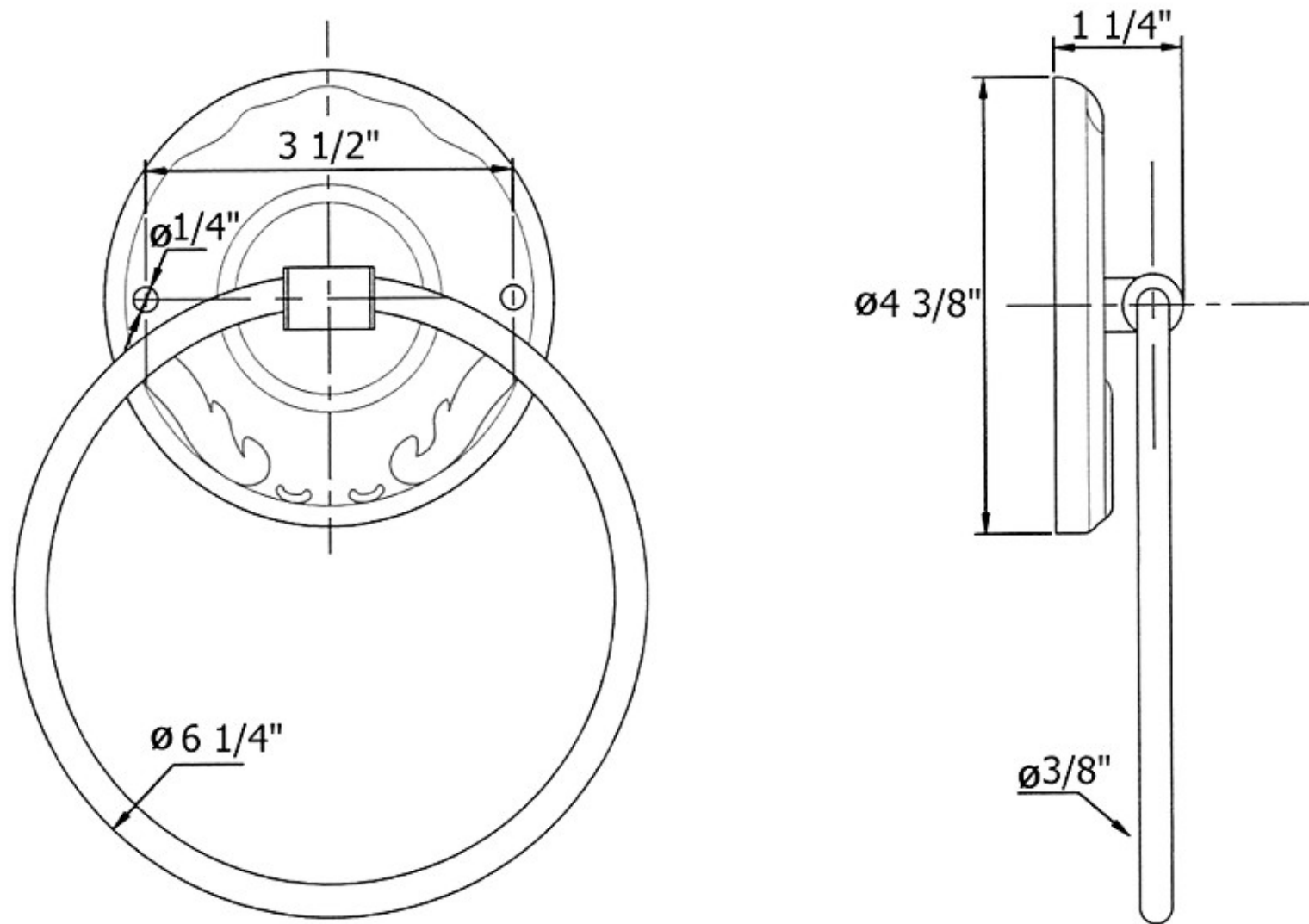
Please follow example when ordering parts for 'Charleston' 6" Towel Ring.

- To order part#03 – **Finished Ring**
  - 9111603xx
- Please substitute finish number needed in place of **xx**.
- To order a part that is not finished use **00**



**Herbeau**<sup>®</sup>  
L'Art du Sanitaire depuis 1857

# 1116 - 'Charleston' 6" Towel Ring



# 1116 - 'Charleston' 6" Towel Ring

