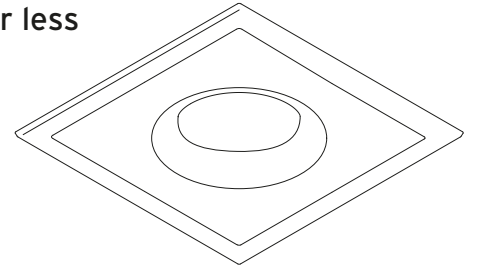


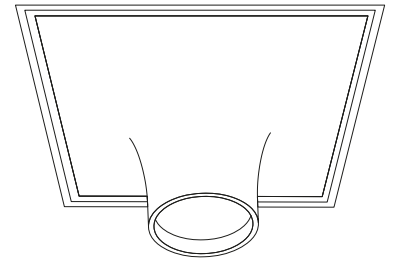
**USOS FAMILY**  
INSTALLATION GUIDELINES



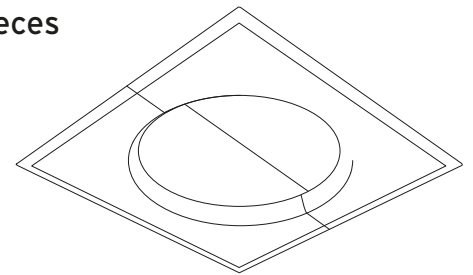
**TYPE N°1** 5 kg or less



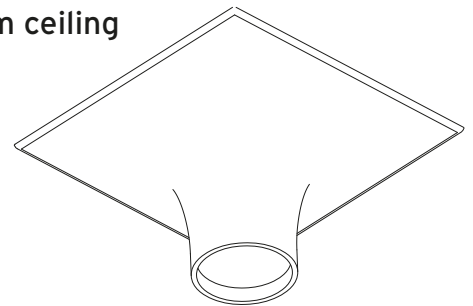
**TYPE N°2** more than 5 kg



**TYPE N°3** cut pieces



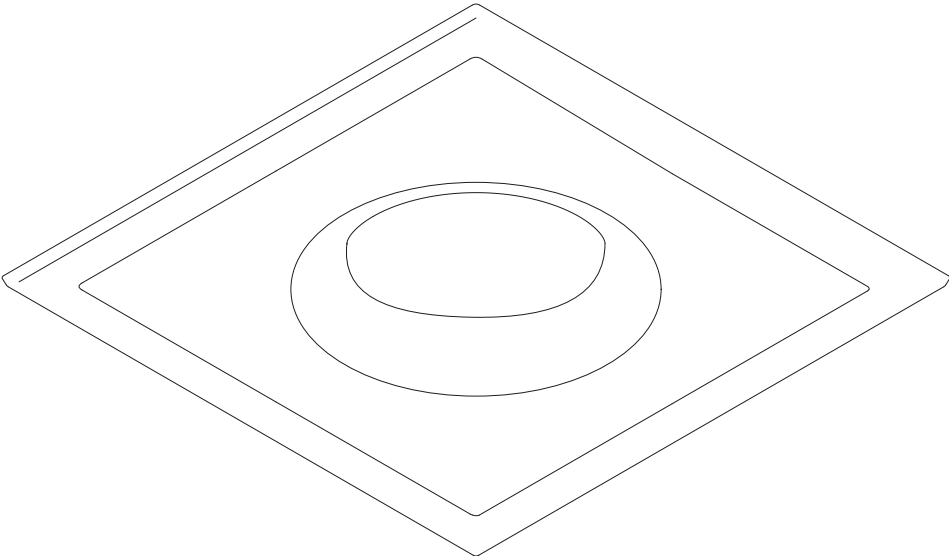
**TYPE N°4** system ceiling

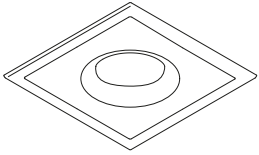


**USOS**

TYPE N°1

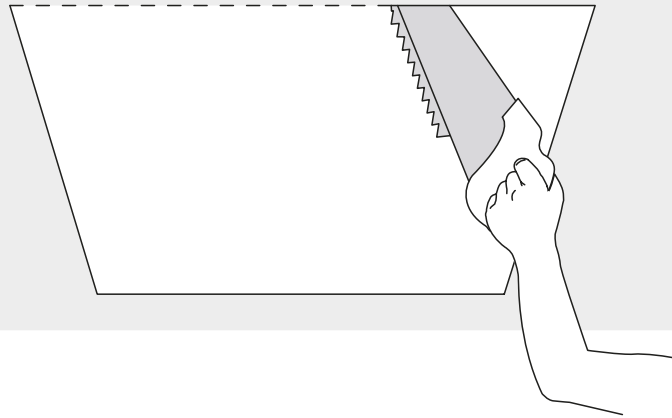
5kg or less

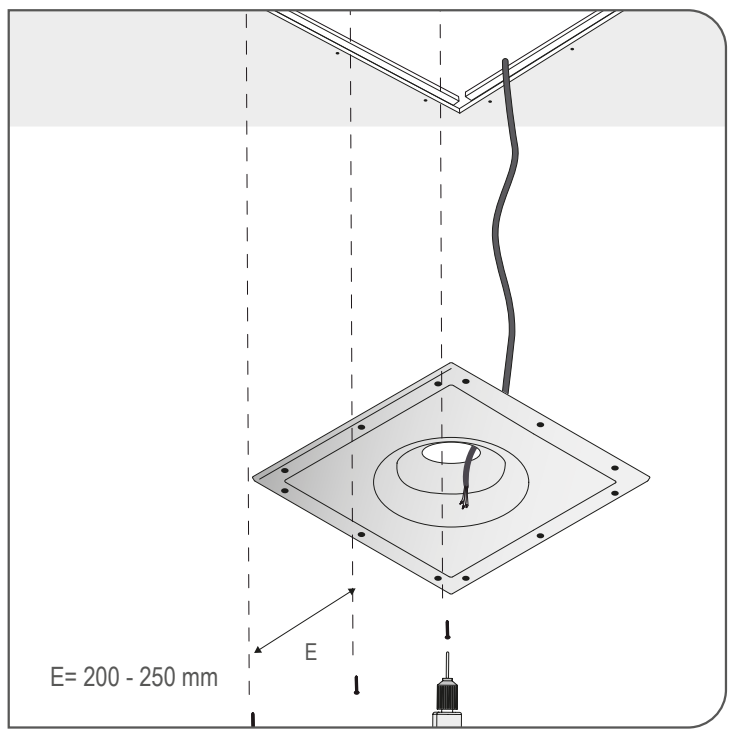
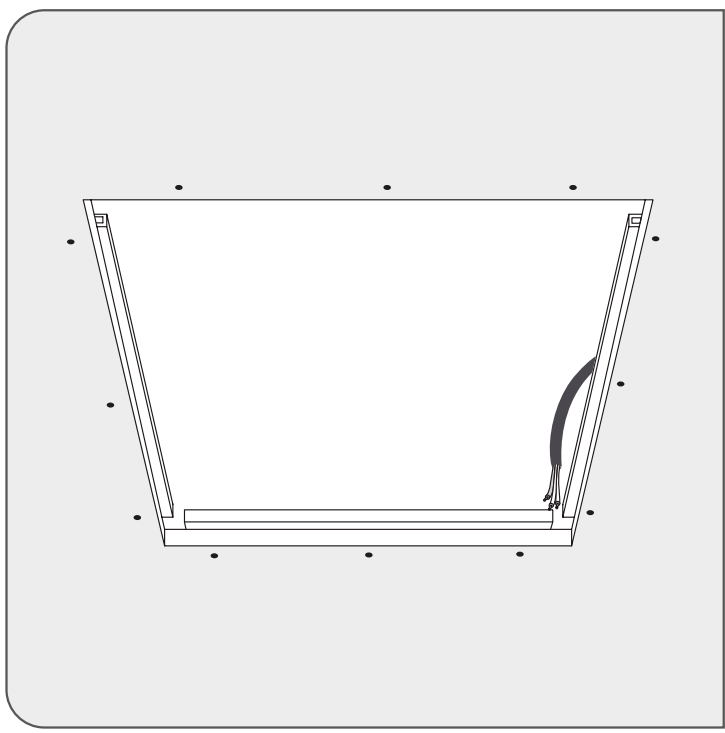
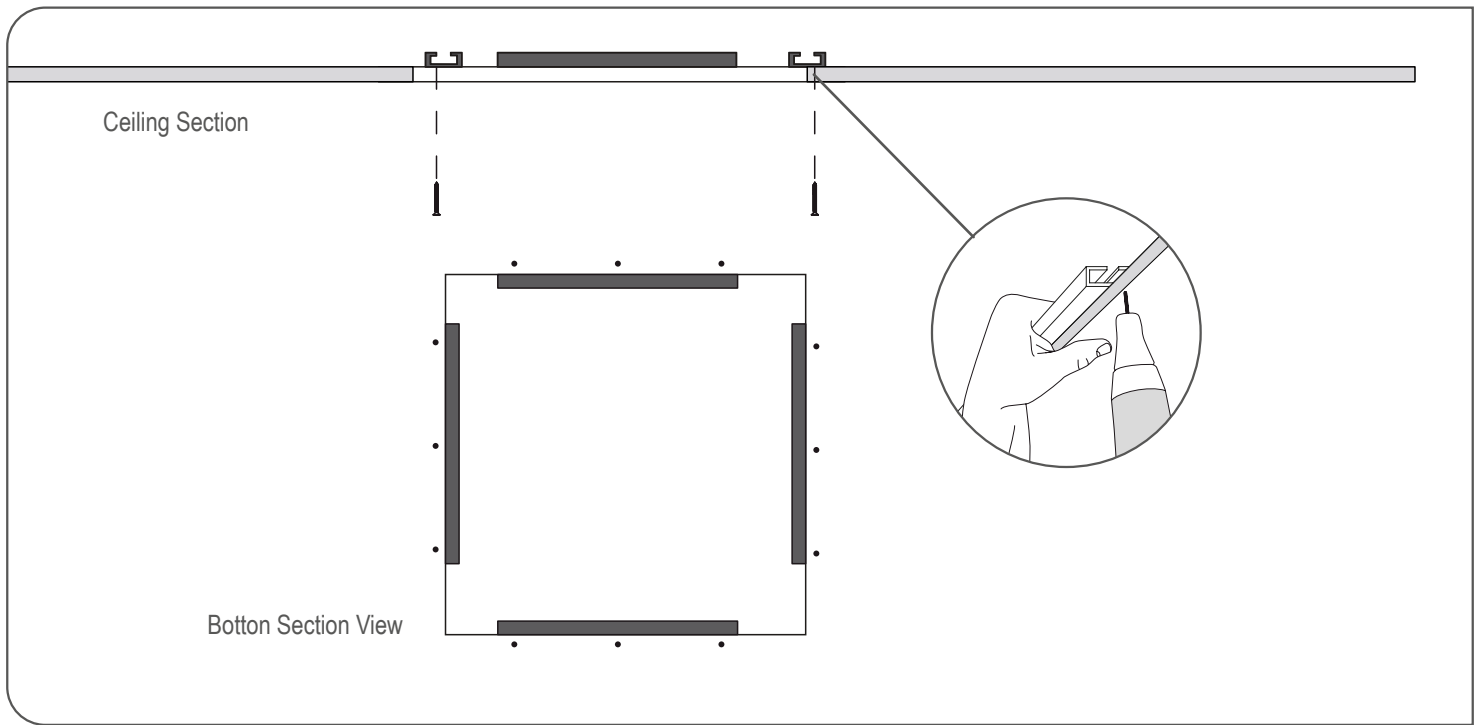


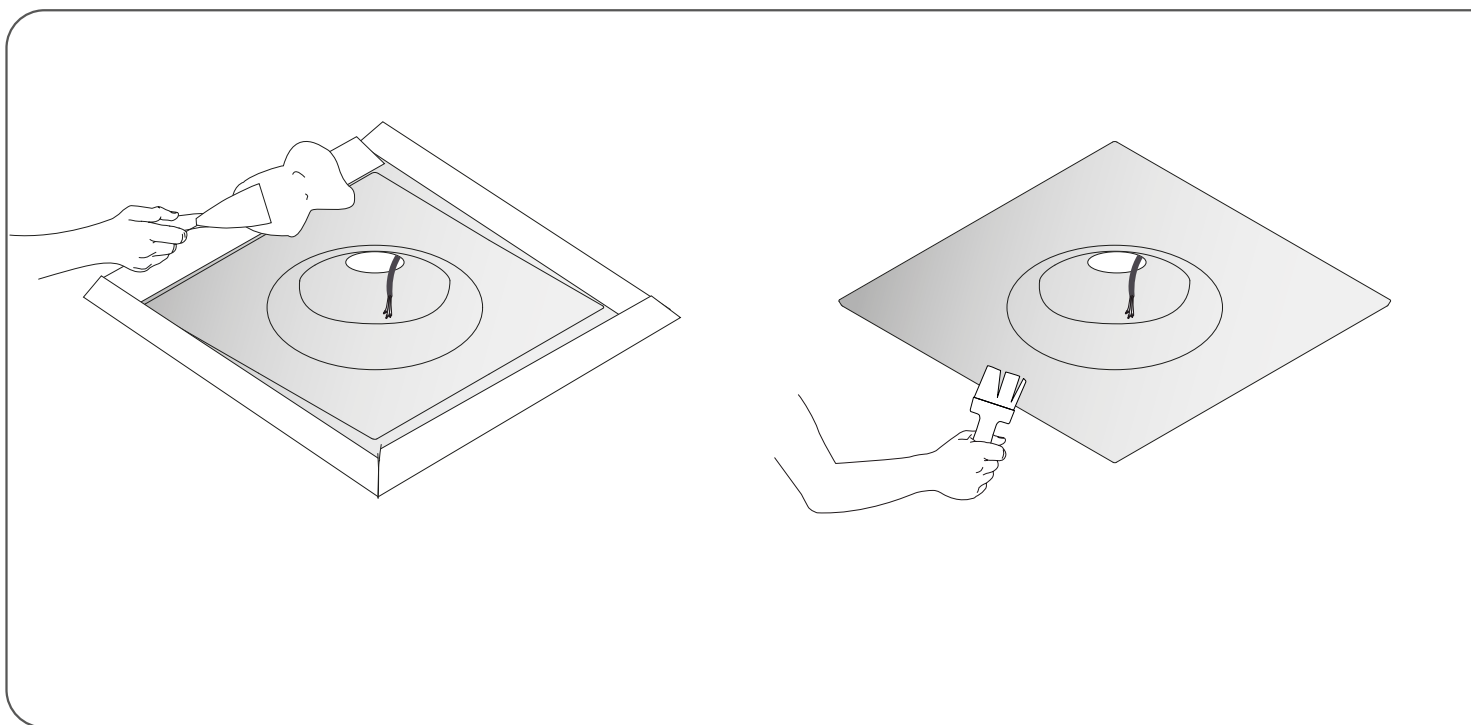
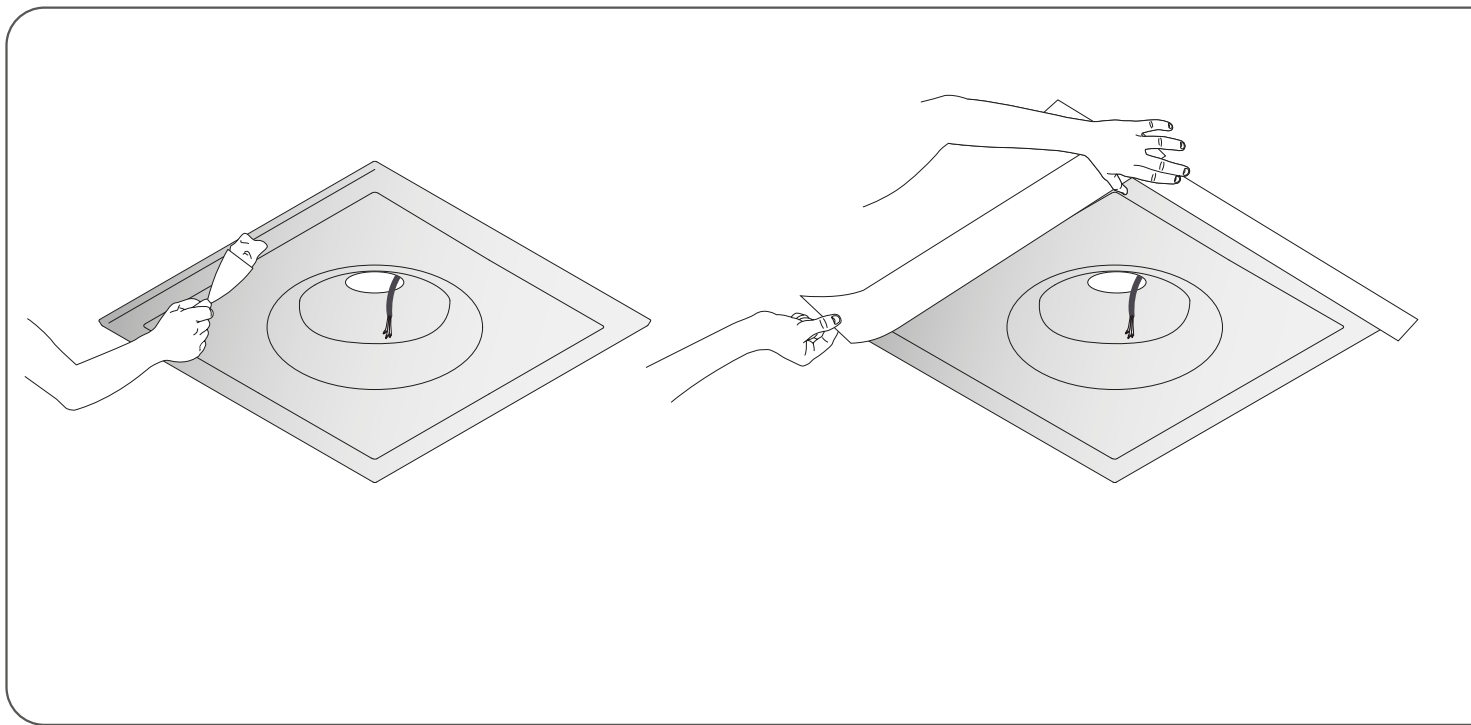


## TYPE N°1 5 kg or less

REF.	PRODUCT	SIZE A (mm)	SIZE B (mm)
SA.1001.1	USO 332	570	380
SA.1022.1	USO 400	400	400
SA.1024.1	USO 500	525	525
SA.1030.1	USO 600	600	600
SA.1034.1	USO KAP 105	352	352
SA.1035.1	USO KAP 145	452	452
SA.1039.1	TEARDROP SMALL	670	670
SA.3008.1	USB BOX ROUND 210	∅ 270	
SA.3009.1	USB SQUARE 1L W-W 50W MAX	280	220
SA.3017.1	USB ROUND 1L 50W MAX.	255	255
SA.3018.1	USB ROUND 2L 50W MAX.	327	255
SA.3019.1	USB ROUND 1L W-W 50W MAX.	280	220
SA.3020.1	USB ROUND 2L W-W 50W MAX.	327	255
SA.3021.1	USB SQUARE 1L 50W MAX.	255	255
SA.3022.1	USB SQUARE 2L 50W MAX.	327	255
SA.3023.1	USB SQUARE 2L W-W 50W MAX.	330	255

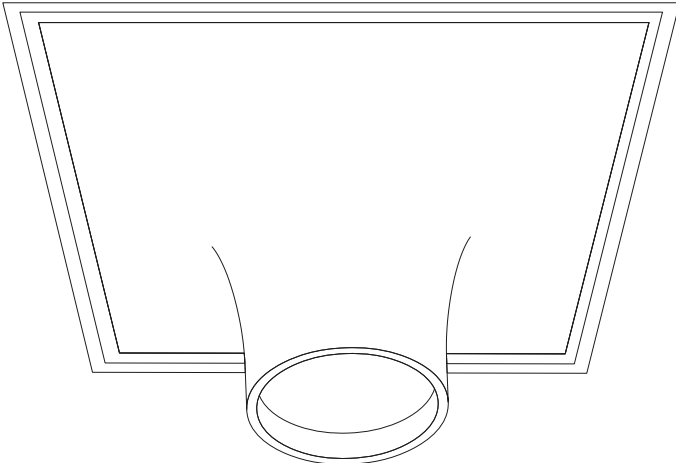




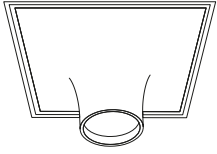


**USOS**

TYPE N°2 more than 5kg

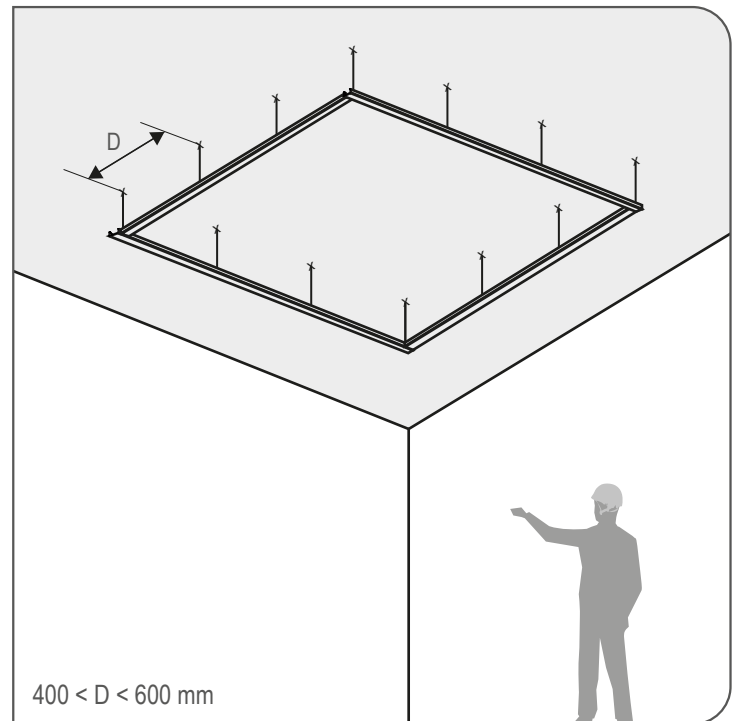
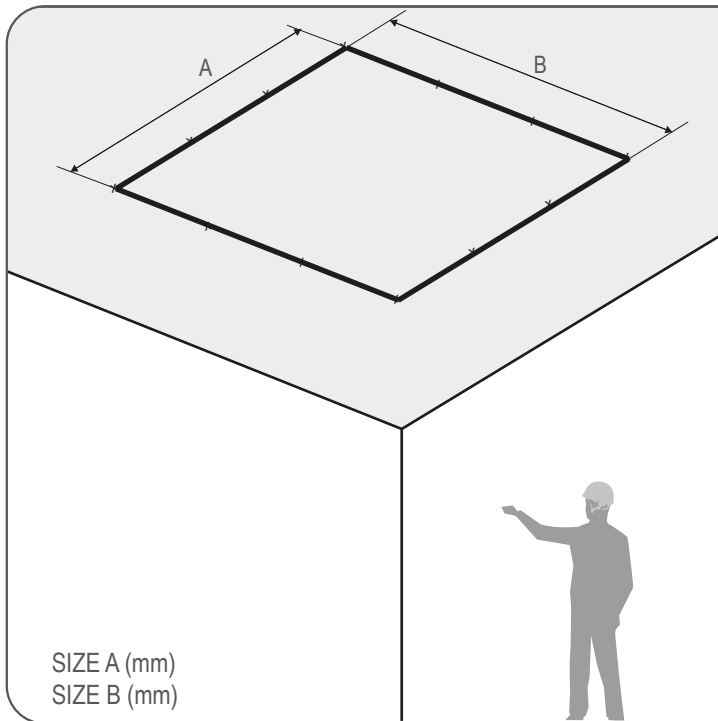


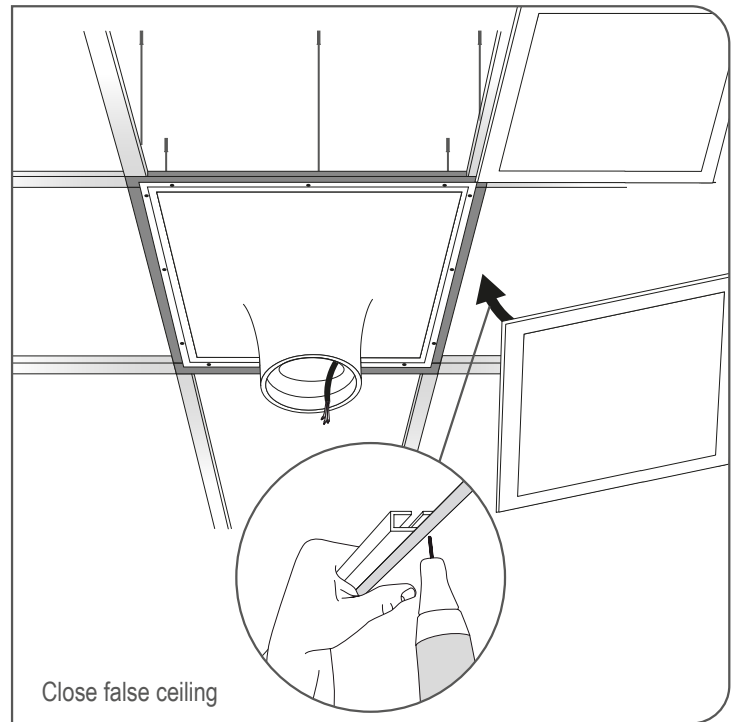
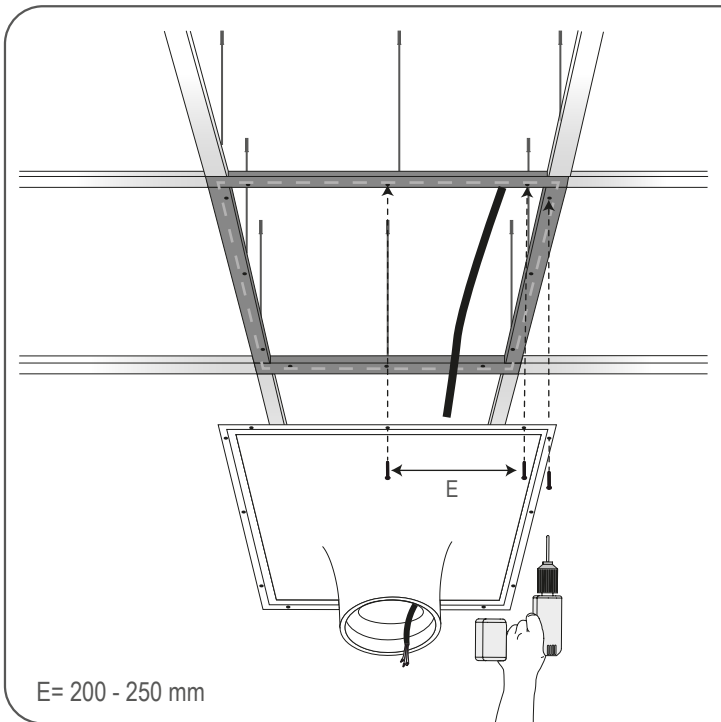
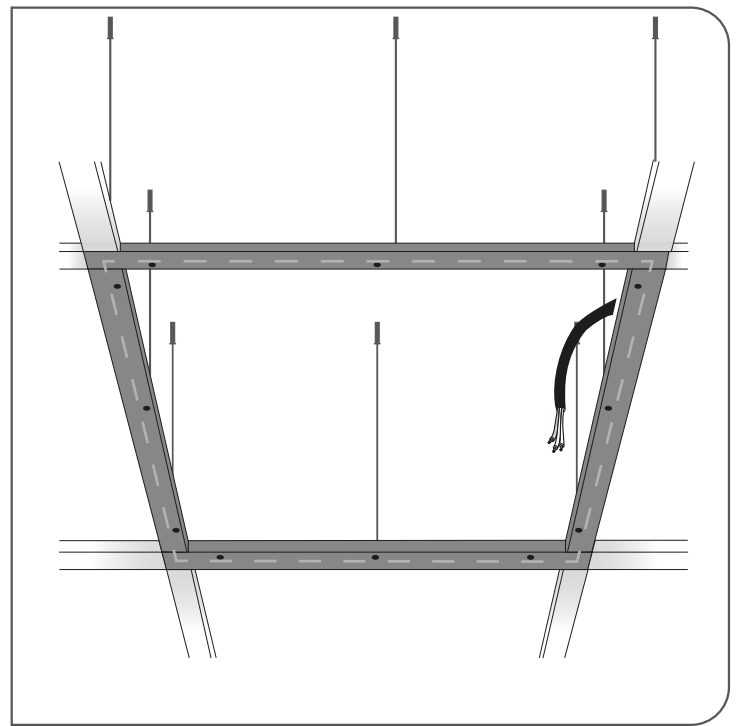
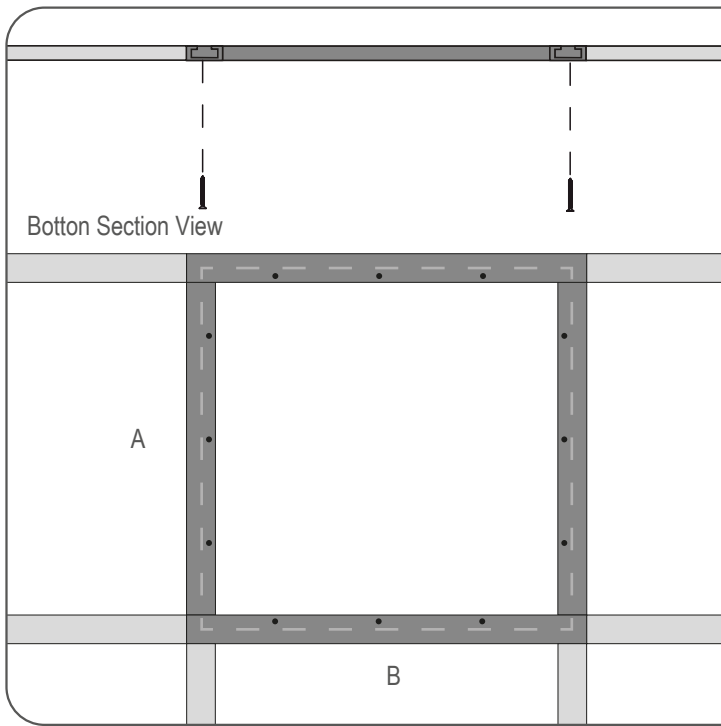


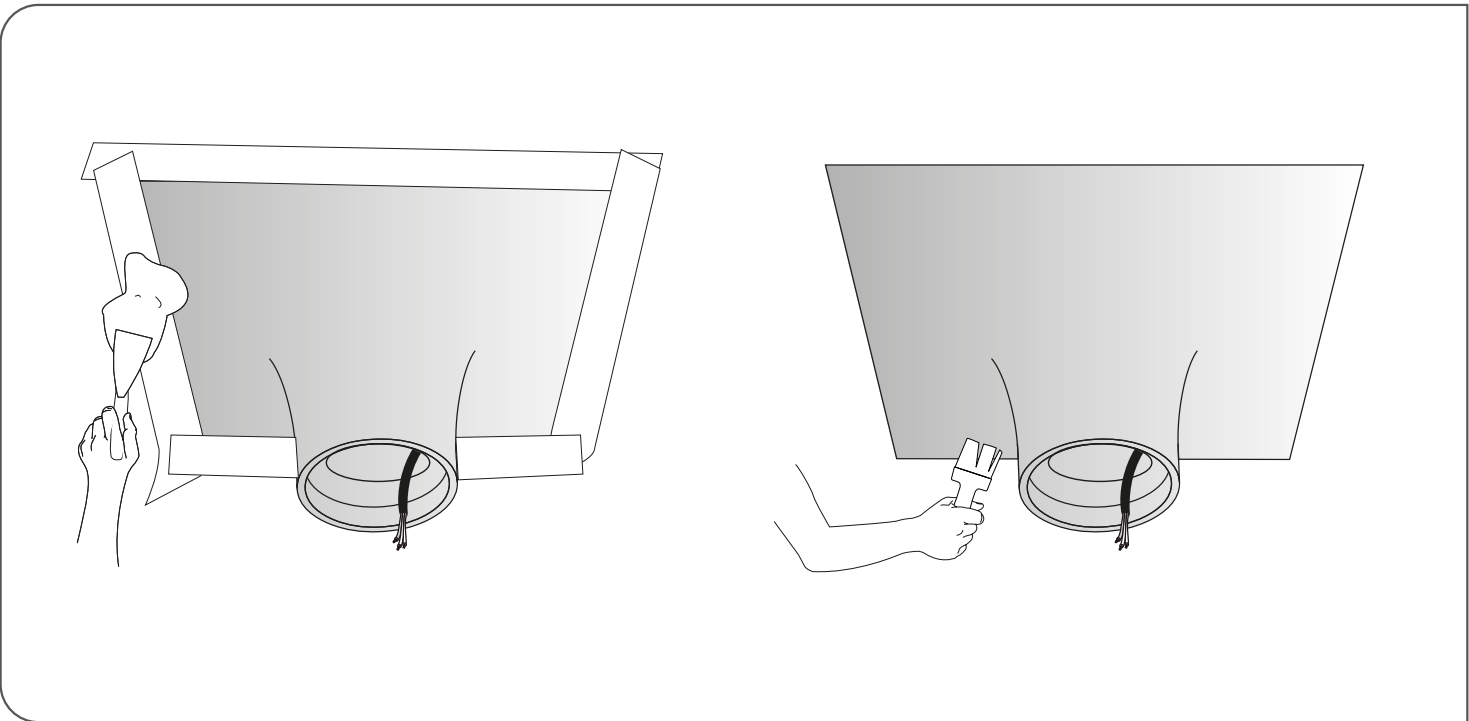
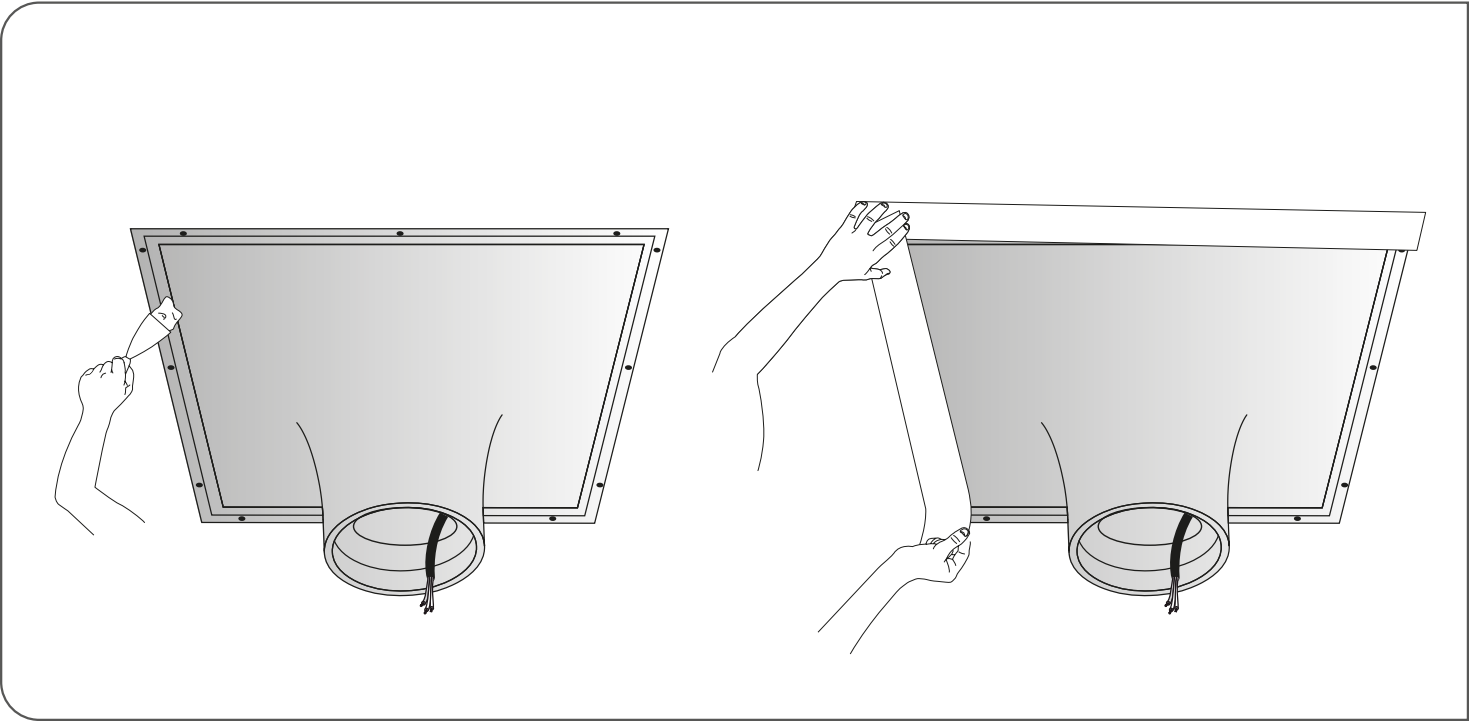


## TYPE N°2 more than 5 kg

REF.	PRODUC	SIZE A (mm)	SIZE B (mm)
SA.1002.1	USO 700	700	700
SA.1003.1	USO 800	800	800
SA.1004.1	USO 1000	1000	1000
SA.1005.1	USO 1400	1400	1400
SA.1006.1	USO 900	1400	1400
SA.1010.1	USO 100 50	1000	1000
SA.1011.1	USO 140 90	1400	1400
SA.1014.1	USO BOOB	600	600
SA.1015.1	USO BOOB 2L	900	600
SA.1040.1	TEARDROP MEDIUM	800	800
SA.1041.1	TEARDROP LARGE	1300	1300
SA.4006.1	USL 900 DISK ON CERRADO	1700	1700
SA.4008.1	USL CONE RECESSED 60 31 R	640	640
SA.4010.1	USL CONE RECESSED 60 31 RE	640	640



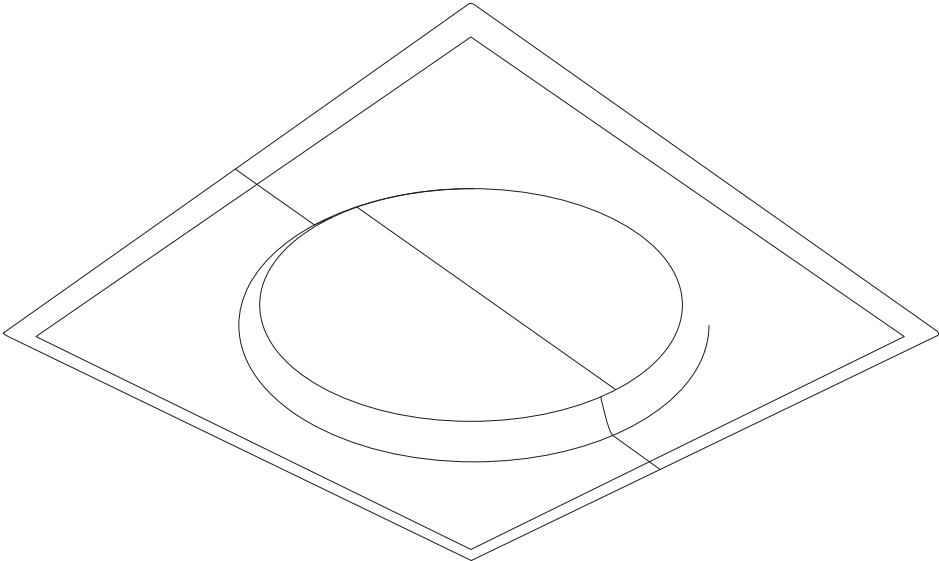


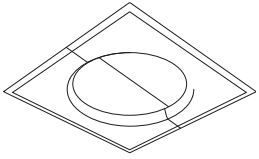


**USOS**

TYPE N°3

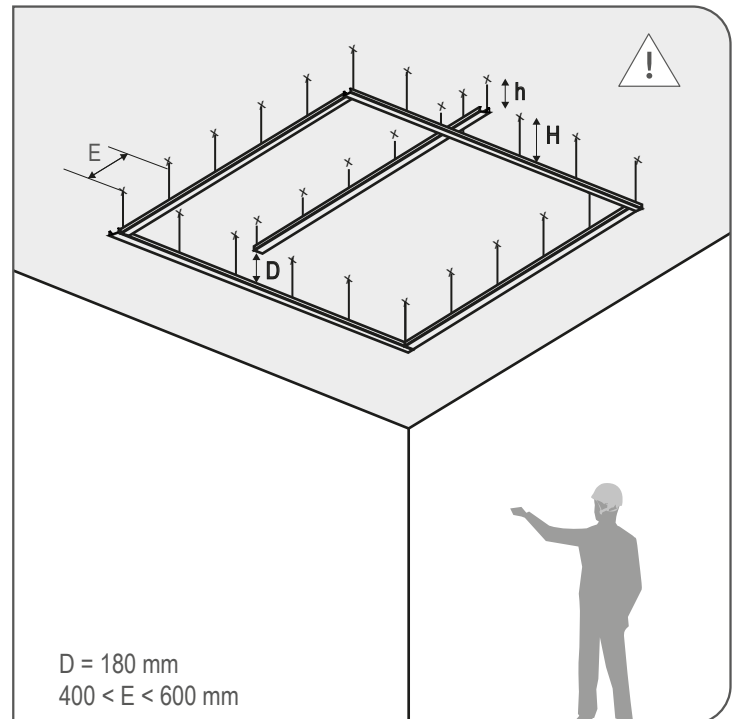
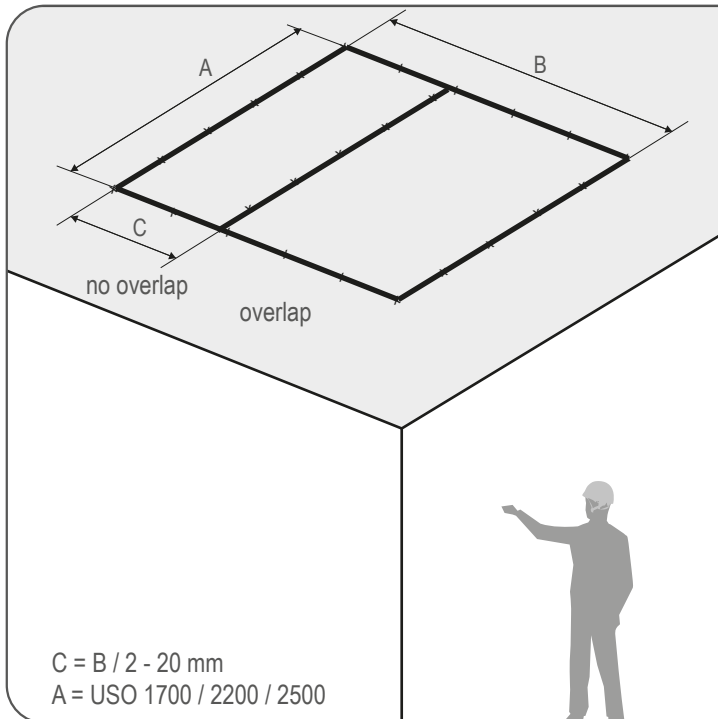
cut pieces

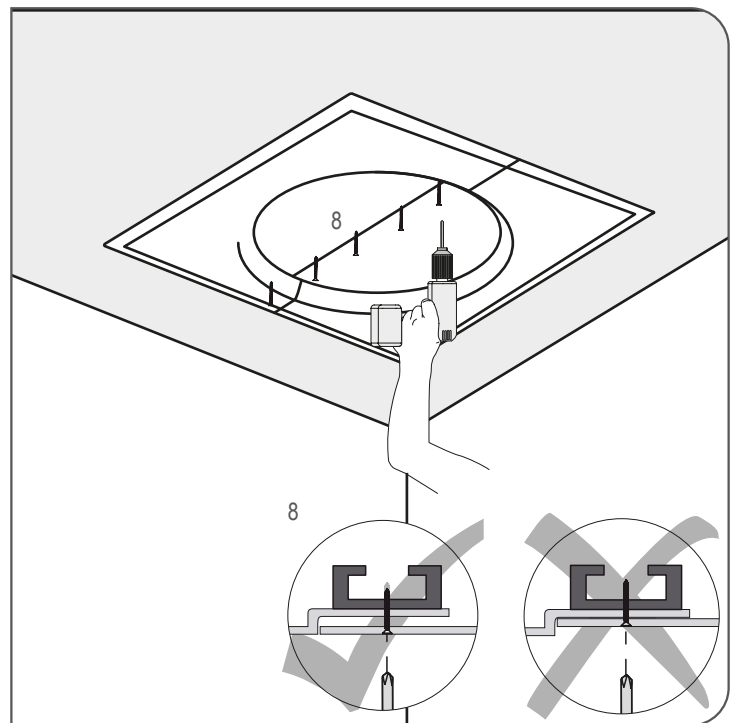
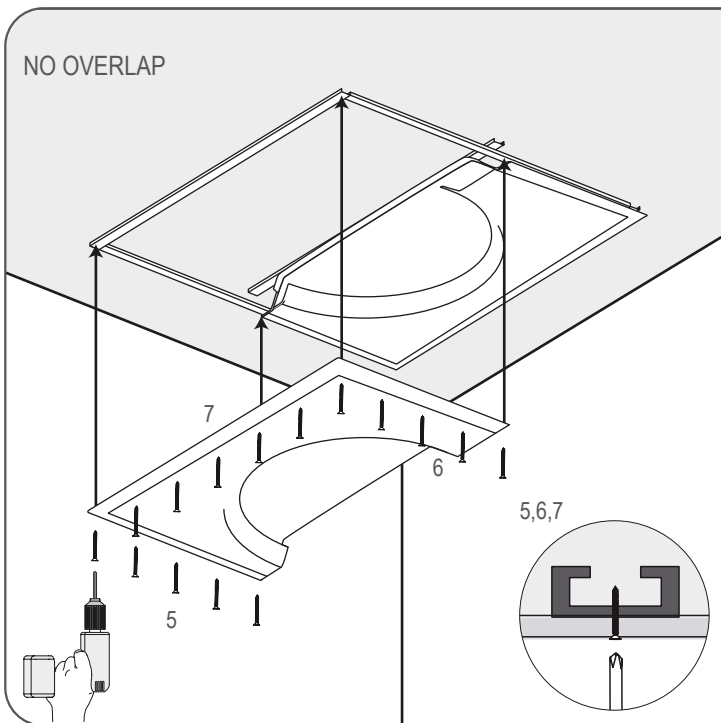
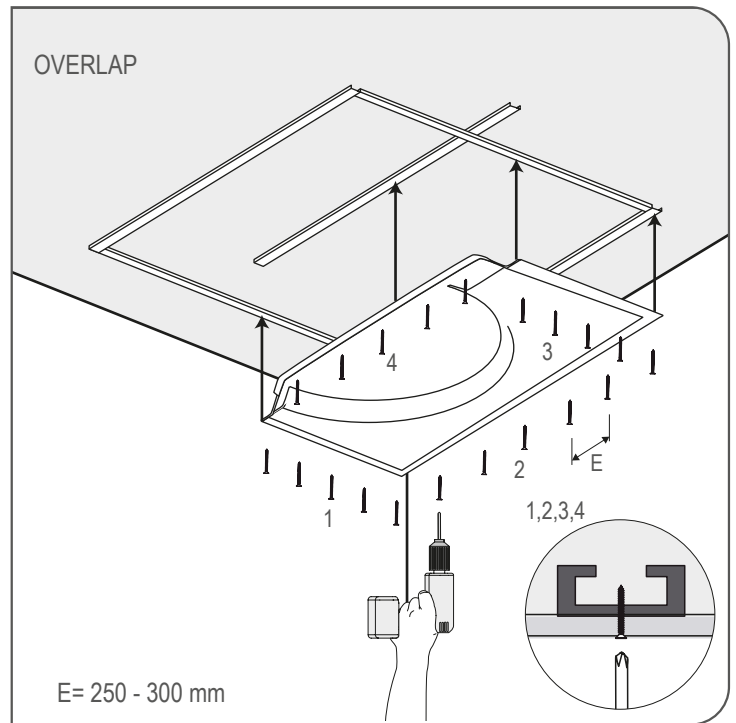
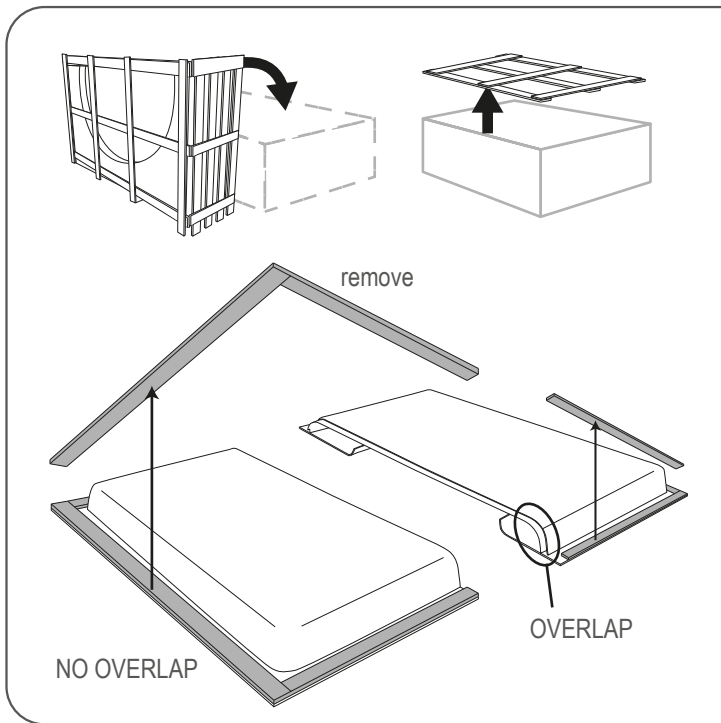


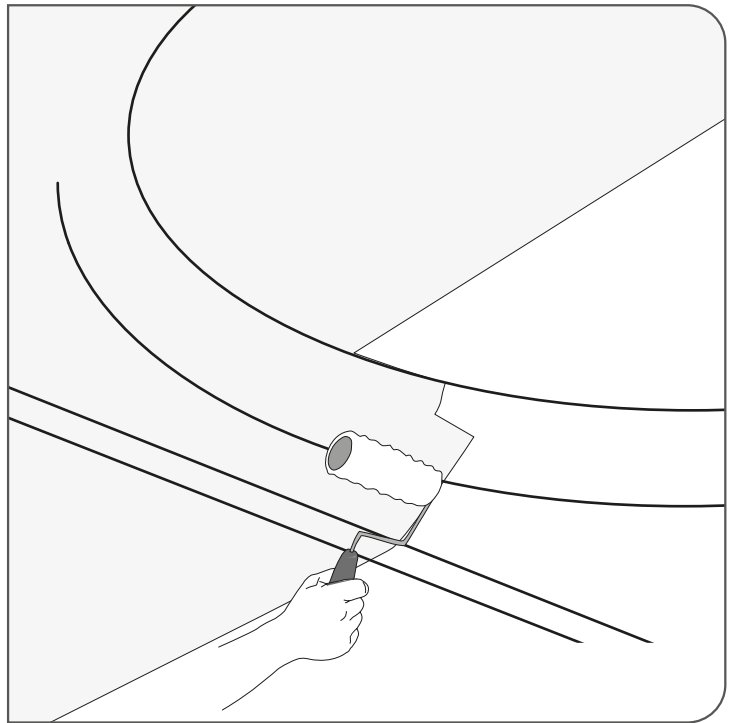
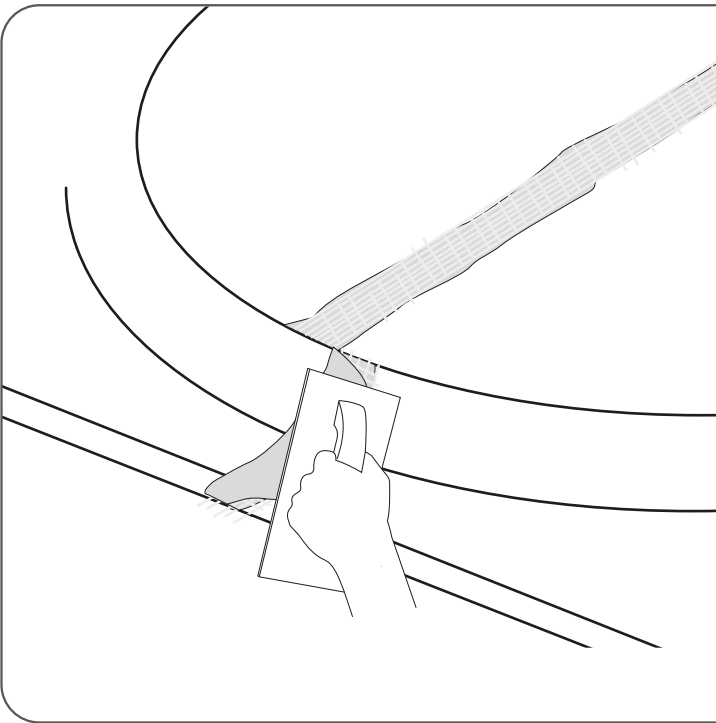
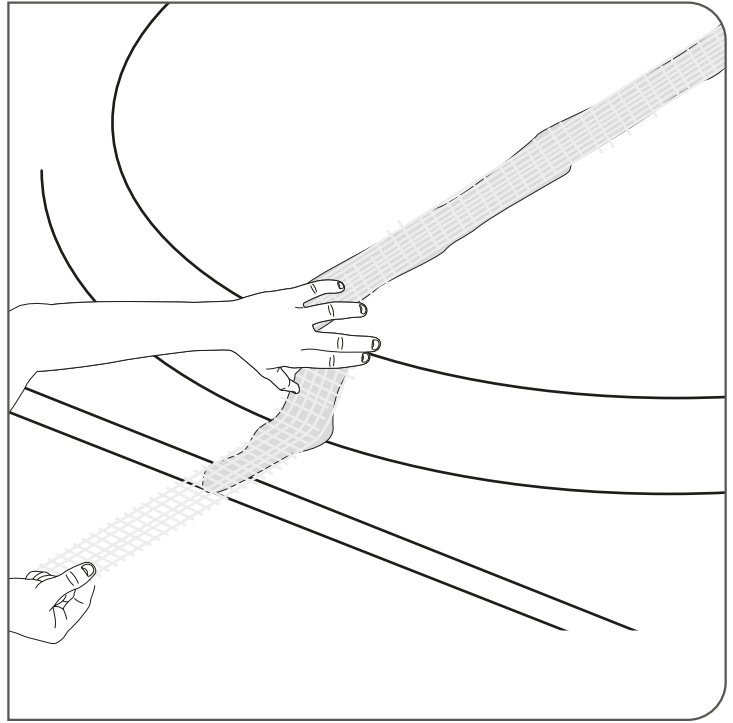
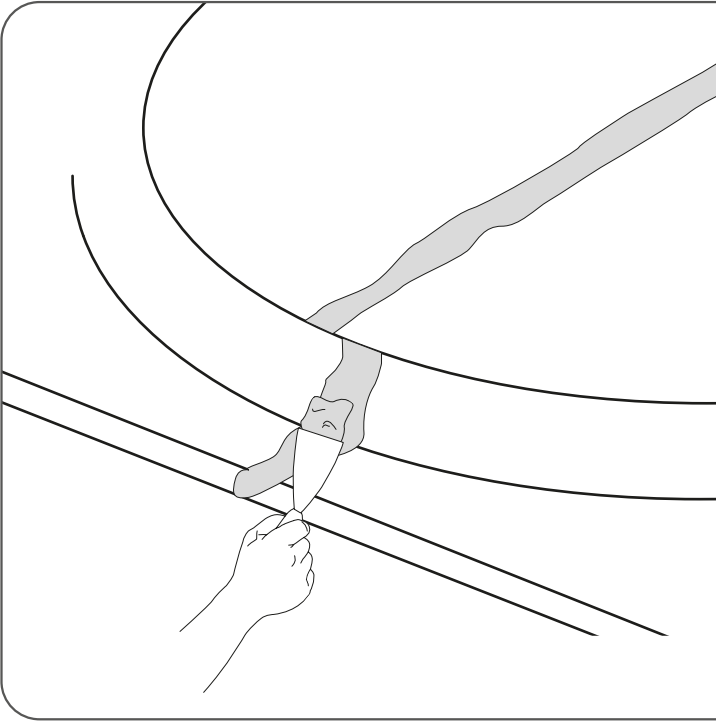


## TYPE N°3 cut pieces

REF.	PRODUC	SIZE A (mm)	SIZE B (mm)
SA.1007.1	USO 1700	2200	2200
SA.1008.1	USO 2200	2700	2700
SA.1009.1	USO 2500	3000	3000

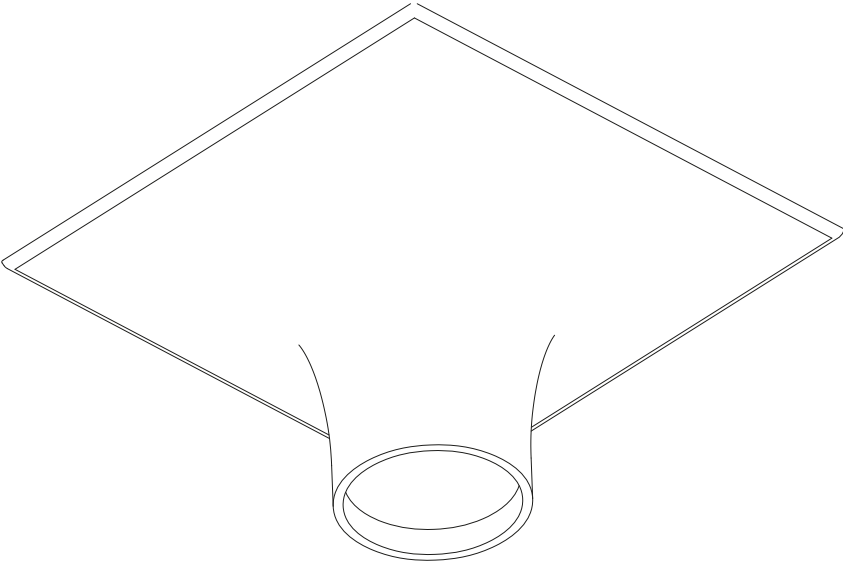




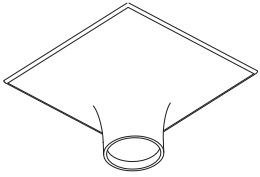


# USOS

TYPE N°4 system ceiling

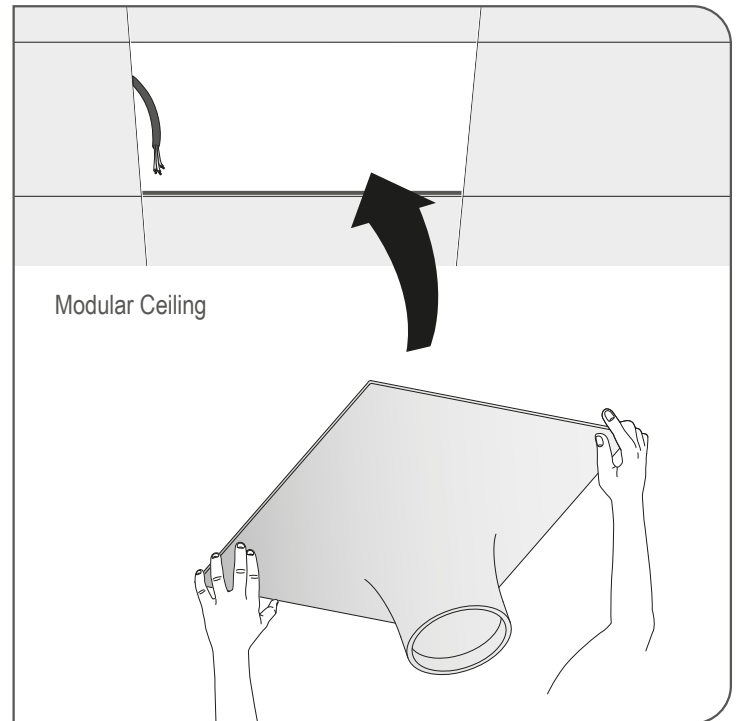
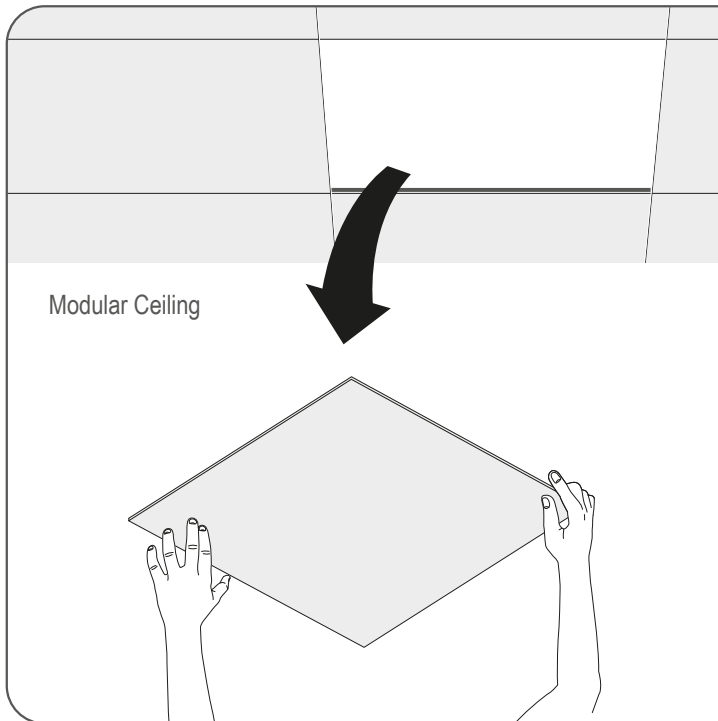






## TYPE N°4 system ceiling

REF.	PRODUC	SIZE A (mm)	SIZE B (mm)
SA.1017.1	USO 330 SC	595	595
SA.1018.1	USO 332 SC	595	595
SA.1019.1	USO BOOB 600 SC	595	595
SA.4009.1	USL 6060 SC	595	595







[www.flos.com](http://www.flos.com)