



Technical data sheet

NEW PRODUCT

Zeus

Sauna heater for commercial saunas. Floor-standing model.

Exclusive sauna heater of the premium class in distinctive round design. Ideal for placement in front of glass walls or in the centre of the sauna.

Your advantages:

- 160 kg sauna stone volume for the perfect "loylu" effect
- Exclusive design with open rock store.
- Improved inner construction with better air circulation for faster heat-up times.
- Ideal for placement in front of glass or in the centre of the sauna, all sides look alike.
- Made in Germany quality from EOS.

Specifications:

| | |
|----------------|---|
| Corner posts: | Steel (8mm) special paint in rusty color |
| Top: | Stainless steel |
| Base: | Stainless steel |
| Terminal box: | Stainless steel |
| Power range: | 12, 16, 20, 24, 30 und 36 kW |
| Power supply: | 400 V 3N AC 50 Hz |
| Stone filling: | 160 kg |
| Dimensions: | Ø 70 x 125 cm |
| Installation: | Floor-standing |

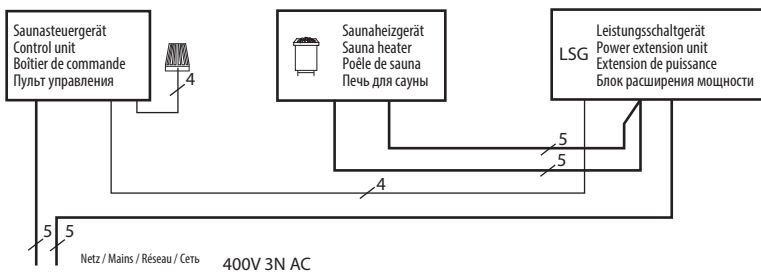


MADE IN GERMANY

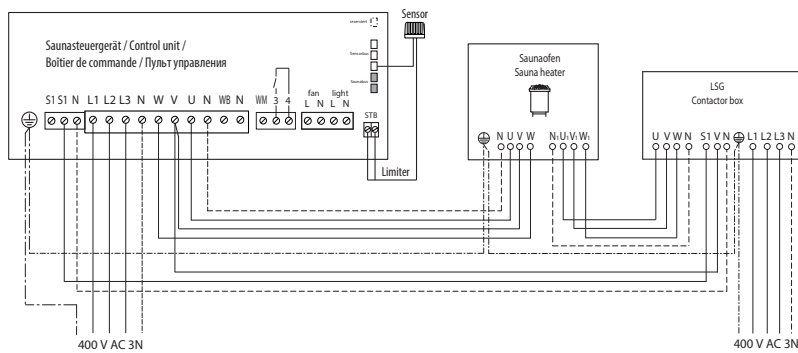


Connection diagram

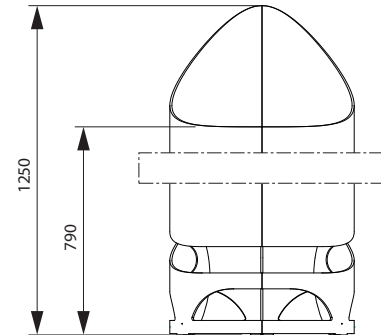
12 - 36 kW



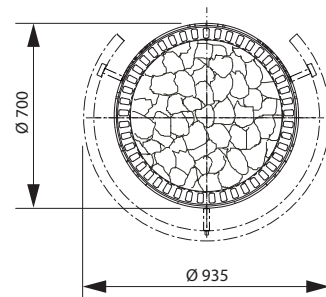
12,0 - 36,0 kW



Dimensions



Dimensions in mm



Spare heating elements

| Description | Item no. |
|---------------------------|----------|
| Für 12,0 kW (12 x 1000 W) | 20011599 |
| Für 16,0 kW (12 x 1333 W) | 20011598 |
| Für 20,0 kW (12 x 1666 W) | 20013763 |
| Für 24,0 kW (12 x 2000 W) | 20013931 |
| Für 30,0 kW (12 x 2500 W) | 20015943 |
| Für 36,0 kW (12 x 3000 W) | 20015944 |

Technical specifications

| Item no. | Power output | Electrical connection | Fuse protection control unit | Fuse protection LSG unit | Dimensions D x H in cm | For sauna cabin size | Min. size of air inlet and outlet | Weight without rocks | SSStone filling | Power extension required |
|----------|--------------|-------------------------|------------------------------|--------------------------|------------------------|----------------------|-----------------------------------|----------------------|-----------------|--------------------------|
| 94.6452 | 12,0 kW | 3N AC 50 Hz 400 V | 3 x 16 A | 3 x 16 A | Ø 70 x 125 | | | ~140 kg | ~160 kg | ja |
| 94.6453 | 16,0 kW | | | | | | | | | |
| 94.6454 | 20,0 kW | | | | | | | | | |
| 94.6455 | 24,0 kW | | | | | | | | | |
| 94.6457 | 30,0 kW | | | | | | | | | |
| 94.6458 | 36,0 kW | | | | | | | | | |