

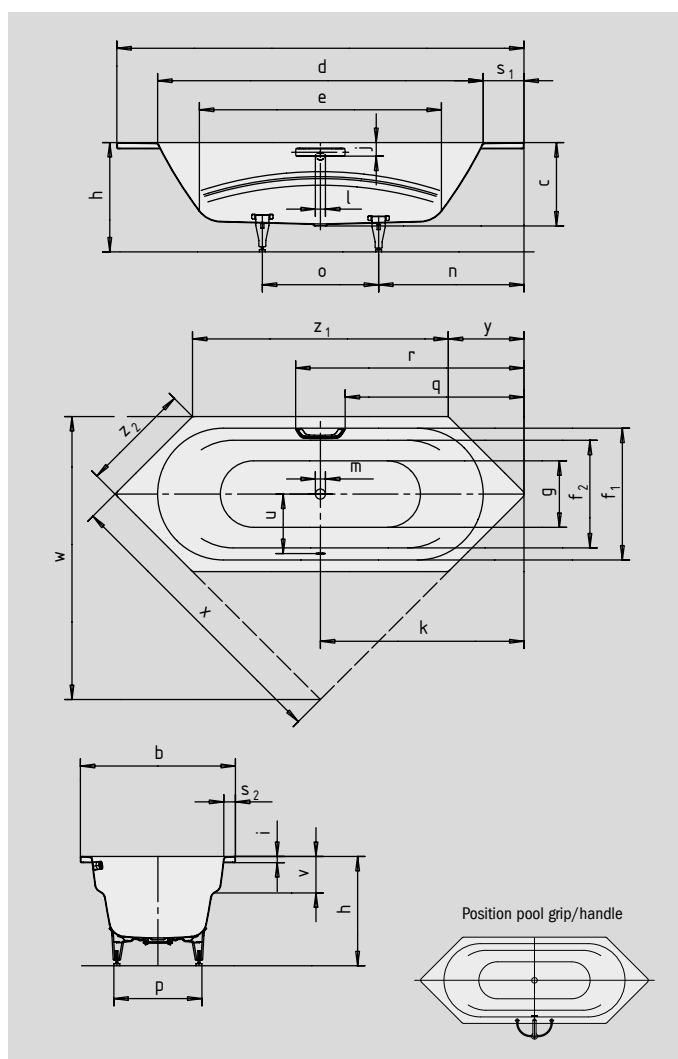
VAIO DUO 6

- bathing with a friend: two identical back rests and centrally positioned waste
- with integrated arm rests
- diverse installation possibilities, also corner installation
- made of Kaldewei steel enamel 3,5 mm



Similar illustration

Please notice:
The illustrated bath with grip/handle requires a special bath design. To attach the grip/handle, a special drilling (standard positioning) in the bath is required (already included in the accessory price).



DISCREET OPULENCE AMBIENTE COLLECTION

COMFORT SELECT



Model No.		952
External length	a	2100 mm
External width	b	800 mm
Depth	c	430 mm
Internal length (top)	d	1680 mm
Internal length (bottom)	e	1248 mm
Internal width (top)	f ₁ ; f ₂	680; 555 mm
Internal width (bottom)	g	496 mm
Height with feet	h	550-590 mm
Height of rim	i	32 mm
Distance top edge to centre of overflow hole	j	70 mm
Distance bath edge to centre of drain hole	k	1050 mm
Diameter of overflow hole	l	52 mm
Diameter of drain hole	m	52 mm
Distance foot end of bath edge to centre of foot	n	750 mm
Distance between the feet	o	600 mm
Max. width of feet	p	455 mm
Distance bath edge (foot end) to where grip/handle starts	q	923 mm
Distance bath edge (foot end) to where grip/handle ends	r	1178 mm
Width of rim (foot end; lengthwise)	s ₁ ; s ₂	210; 60 mm
Distance between centre holes	u	332 mm
Armrest depth	v	180 mm
Installation dimension; Side length; Oblique	w; x; y	1460; 1499; 390 mm
Side length	z ₁ ; z ₂	1320; 566 mm
Water volume** in litres		155
Weight of the enamelled bath in kg		51
Anti-slip		Ø 435 mm
Full anti-slip		900 x 300 mm

Subject to technical alterations, tolerances and errors. Similar illustration.
** 70 litres displacement on average.

KALDEWEI