

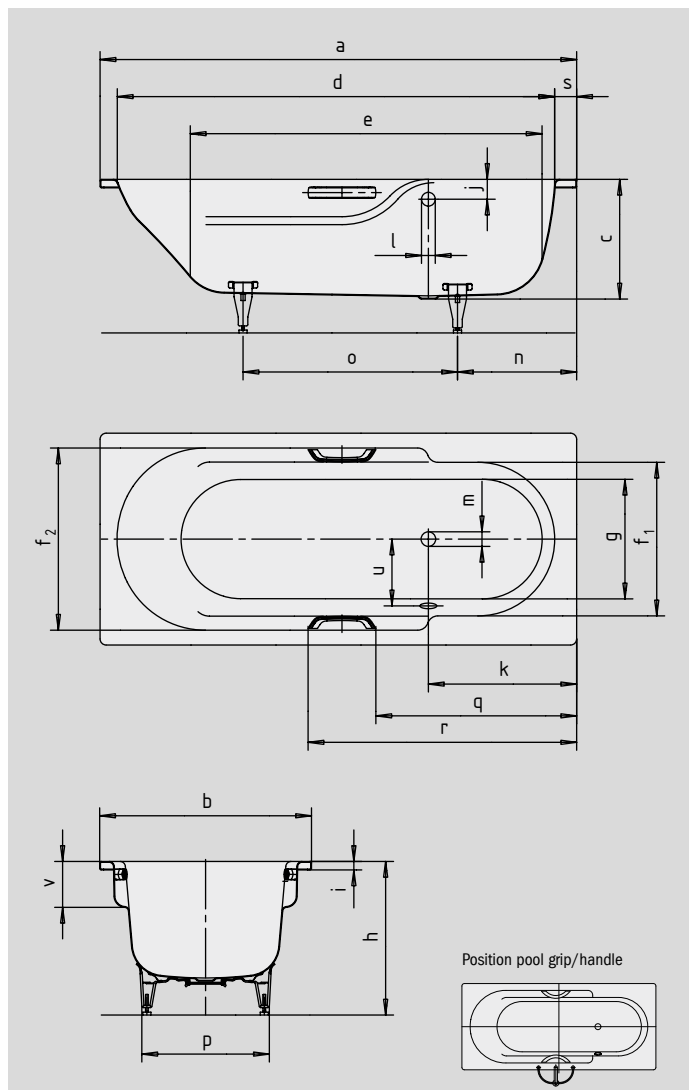
RONDO

RONDO STAR

- the curvature of the interior contours provides lots of room for the upper part of the body
- wide arm rests for optimum bathing comfort
- classic four-cornered model
- made of Kaldewei steel enamel 3,5 mm
- also available with grips/handles



Similar illustration
Right hand model shown



DISCREET OPULENCE AMBIENTE COLLECTION

COMFORT SELECT



Model No.		700 / 701	710 / 711
External length	a	1700	1800 mm
External width	b	750	800 mm
Depth	c	445	445 mm
Internal length (top)	d	1560	1650 mm
Internal length (bottom)	e	1250	1340 mm
Internal width (top)	f ₁ , f ₂	530; 635	580; 690 mm
Internal width (bottom)	g	400	450 mm
Height with feet	h	576-601	576-601 mm
Height of rim	i	32	32 mm
Distance top edge to centre of overflow hole	j	75	75 mm
Distance bath edge to centre of drain hole	k	525	565 mm
Diameter of overflow hole	l	52	52 mm
Diameter of drain hole	m	52	52 mm
Distance foot end of bath edge to centre of foot	n	430	450 mm
Distance between the feet	o	710	810 mm
Max. width of feet	p	440	480 mm
Distance bath edge (foot end) to where grip/handle starts (Mod. 701/711)	q	741,5	791,5 mm
Distance bath edge (foot end) to where grip/handle ends (Mod. 701/711)	r	1014	1065 mm
Width of rim (foot end)	s	80	80 mm
Distance between centre holes	u	260	285 mm
Armrest depth	v	170	170 mm
Water volume** in litres		130	178 mm
Weight of the enamelled bath in kg		51	57 mm
Anti-slip		Ø 288	Ø 435 mm
Full anti-slip		900 x 300	900 x 300 mm

Note: The operational system may protrude on some whirl systems.
Please refer to the Technical Information for Whirl Systems for further information.
Subject to technical alterations, tolerances and errors. Similar illustration.
** 70 litres displacement on average.

KALDEWEI