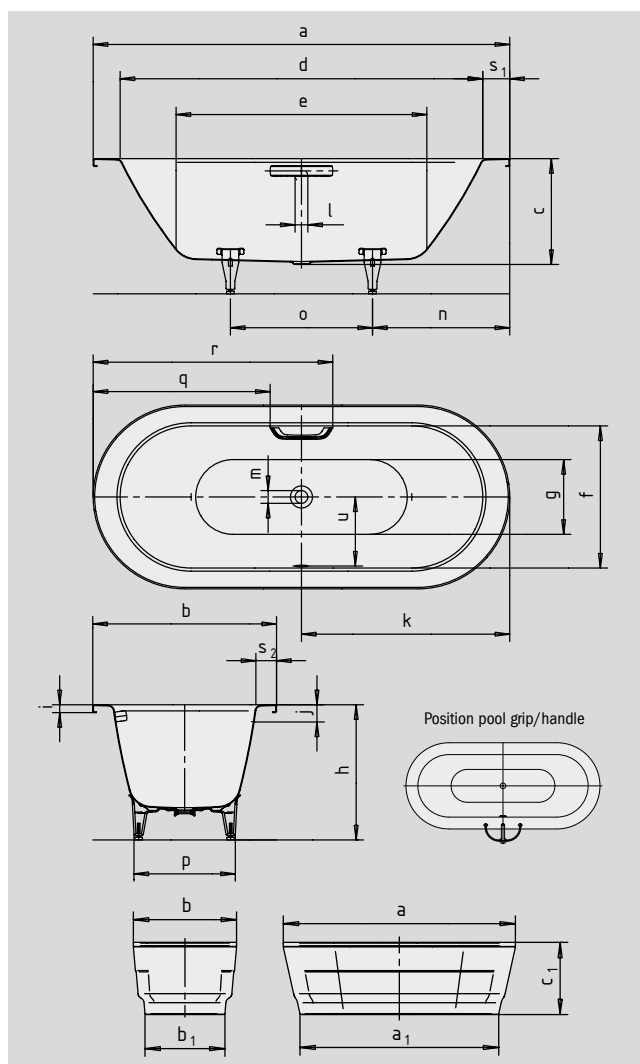


# CLASSIC DUO OVAL WIDE CLASSIC DUO OVAL WIDE WITH MOULDED PANEL

- pure simplicity and unpretentious elegance are what distinguish these baths
- generously designed rim for individual tap positioning
- bathing with a friend: two identical back rests and centrally positioned waste
- made of Kaldewei steel enamel 3,5 mm
- the moulded panel emphasises the high design standard and enables the bath to be free-standing



Similar illustration



DISCREET OPULENCE AMBIENTE COLLECTION

COMFORT SELECT



Model No.		115	115-7
External length	a	1800	1800 mm
External length (bottom)	a <sub>1</sub>	-	1530 mm
External width	b	800	800 mm
External width (bottom)	b <sub>1</sub>	-	608 mm
Depth	c	430	430 mm
Overall height with panel	c <sub>1</sub>	-	560 mm
Internal length (top)	d	1580	1580 mm
<b>Internal length (bottom)</b>	<b>e</b>	<b>1130</b>	<b>1130 mm</b>
Internal width (top)	f	580	580 mm
Internal width (bottom)	g	450	450 mm
Height with feet	h	566-596	566-596 mm
Height of rim	i	32	32 mm
Distance top edge to centre of overflow hole	j	70	70 mm
Distance bath edge to centre of drain hole	k	900	900 mm
Diameter of overflow hole	l	52	52 mm
Diameter of drain hole	m	52	52 mm
Distance foot end of bath edge to centre of foot	n	610	610 mm
Distance between the feet	o	580	580 mm
Max. width of feet	p	400	400 mm
Distance bath edge to where grip/handle starts	q	772	772 mm
Distance bath edge to where grip/handle ends	r	1028	1028 mm
Width of rim (foot end; lengthwise)	s <sub>1</sub> ; s <sub>2</sub>	110; 110	110; 110 mm
Distance between centre holes	u	280	280 mm
Water volume** in litres		114	114
Weight of the enamelled bath in kg		47	75
Anti-slip		Ø 288	Ø 288 mm
Full anti-slip		850 x 240	850 x 240 mm

Subject to technical alterations, tolerances and errors. Similar illustration.  
\*\* 70 litres displacement on average.

**KALDEWEI**