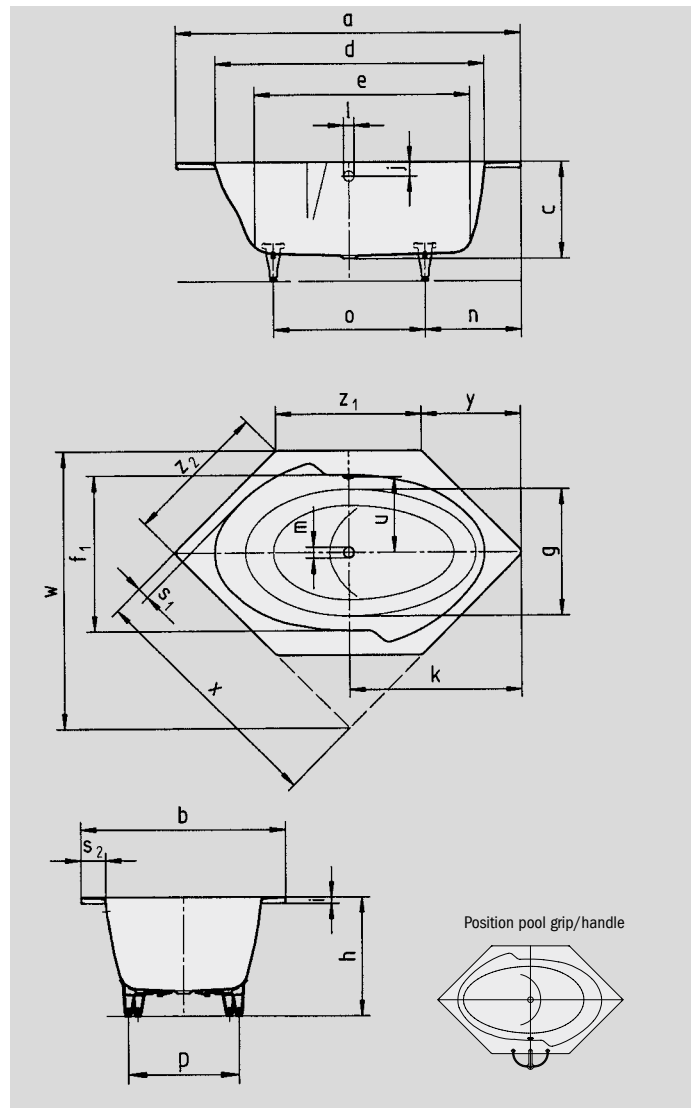


TWIN POOL

- unmistakable style: interior ellipse with hexagonal exterior contours
- large interior despite compact exterior contours
- diverse installation possibilities, also corner installation
- made of Kaldewei steel enamel 3,5 mm



Similar illustration, illustration shows left-hand model (standard)



COMFORT SELECT



Model No.		660
External length	a	1700 mm
External width	b	1000 mm
Depth	c	470 mm
Internal length (top)	d	1325 mm
Internal length (bottom)	e	1050 mm
Internal width (top)	f ₁ ; f ₂	750; 850 mm
Internal width (bottom)	g	550 mm
Height with feet	h	591-651 mm
Height of rim	i	32 mm
Distance top edge to centre of overflow hole	j	70 mm
Distance bath edge to centre of drain hole	k	850 mm
Diameter of overflow hole	l	52 mm
Diameter of drain hole	m	52 mm
Distance foot end of bath edge to centre of foot	n	544 mm
Distance between the feet	o	612 mm
Max. width of feet	p	515 mm
Width of rim (diagonal; lengthwise)	s ₁ ; s ₂	55; 120 mm
Distance between centre holes	u	373 mm
Installation dimension	w	1360 mm
Side length	x	1215 mm
Oblique	y	490 mm
Side length	z ₁ ; z ₂	720; 707 mm
Water volume** in litres		150
Weight of the enamelled bath in kg		48
Anti-slip		Ø 435 mm
Full anti-slip		- mm

Subject to technical alterations, tolerances and errors. Similar illustration.
 ** 70 litres displacement on average.

KALDEWEI