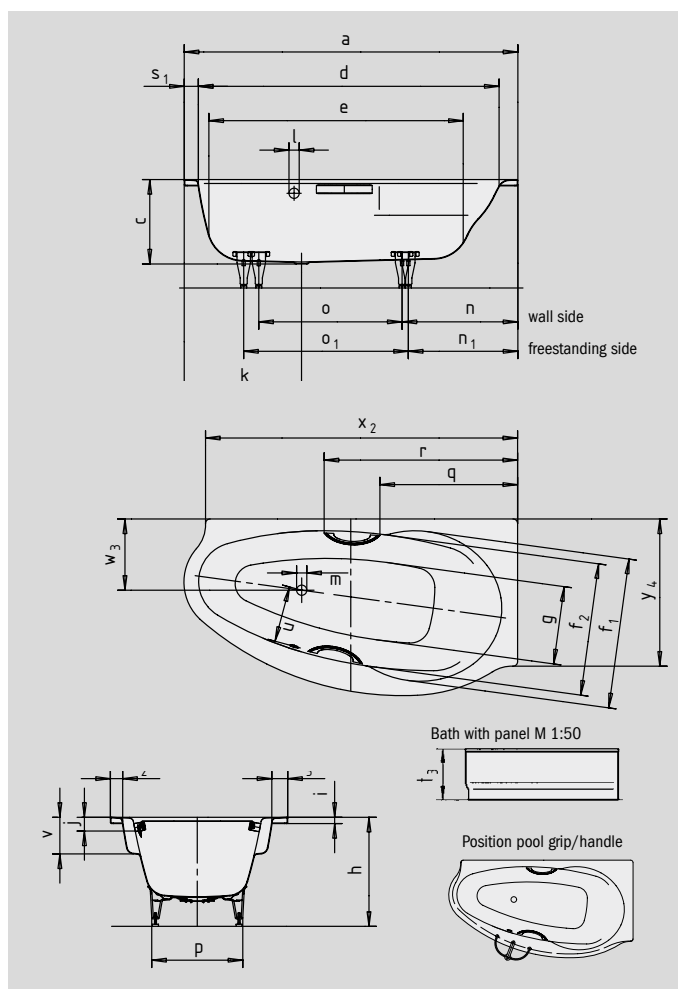


STUDIO LEFT STUDIO STAR LEFT

- harmoniously designed corner bath with left and right installation options
- generously proportioned area for the back and integrated arm rests
- made of Kaldewei steel enamel 3,5 mm
- also available with panel and grips/handles



Similar illustration



DISCREET OPULENCE AVANTGARDE COLLECTION

COMFORT SELECT



Model No.		828 / 829
External length	a	1700 mm
External width	b	900 mm
Depth	c	430 mm
Internal length (top)	d	1545 mm
Internal length (bottom)	e	1290 mm
Internal width (top)	f ₁ ; f ₂	765; 675 mm
Internal width (bottom)	g	340 mm
Height with feet	h	550-575 mm
Height of rim	i	32 mm
Distance top edge to centre of overflow hole	j	70 mm
Distance bath edge to centre of drain hole	k	600 mm
Diameter of overflow hole	l	52 mm
Diameter of drain hole	m	52 mm
Distance foot end of bath edge to centre of foot	n; n ₁	590; 558 mm
Distance between the feet	o; o ₁	745; 880 mm
Max. width of feet	p	525 mm
Distance bath edge to where grip/handle starts (Mod. 829)	q	702 mm
Distance bath edge to where grip/handle ends (Mod. 829)	r	986 mm
Width of rim (foot end; lengthwise)	s ₁ ; s ₂ ; s ₃	75; 60; 140 mm
Height with support and panel	t ₃	560 mm
Distance between centre holes	u	290 mm
Armrest depth	v	200 mm
Distance bath (lengthwise) to drain hole	w ₃	363 mm
Side length (lengthwise)	x ₂	1590 mm
Side length (head end)	y ₄	750 mm
Water volume** in litres		149
Weight of the enamelled bath in kg		54
Anti-slip		∅ 288 mm
Full anti-slip		600 x 220 mm

Note: The operational system may protrude on some whirl systems.
Please refer to the Technical Information for Whirl Systems for further information.
Subject to technical alterations, tolerances and errors. Similar illustration.
** 70 litres displacement on average.

KALDEWEI