

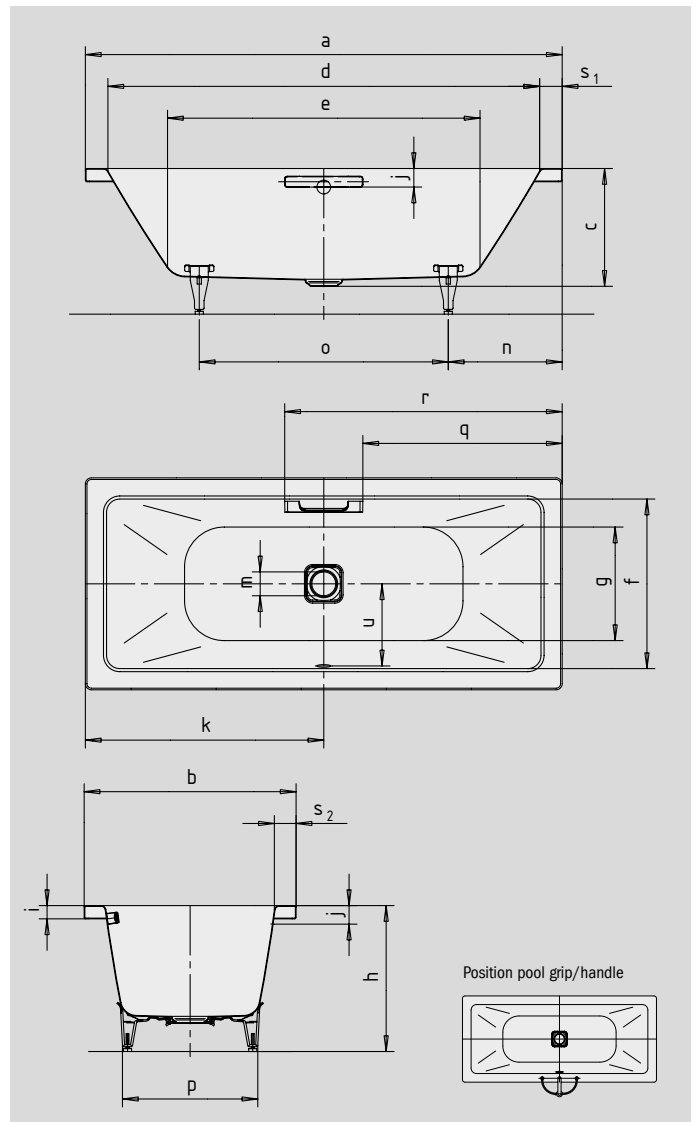
# CONODUO

- straightlined, purist design
- enamelled waste cover and overflow knob integrated in the bath design
- bathing with a friend: two identical back rests and centrally positioned waste
- classic four-cornered model
- made of Kaldewei steel enamel 3,5 mm
- designed by Sottsass Associati
- also available in black



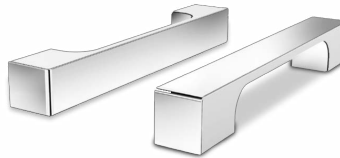
Similar illustration

**Please notice:**  
The illustrated bath with grip/handle requires a special bath design. To attach the grip/handle, a special drilling (standard positioning) in the bath is required (already included in the accessory price).



## ELEGANT PURISM AVANTGARDE COLLECTION

## COMFORT SELECT



Model No.		732	733	734	735
External length	a	1700	1800	1900	2000 mm
External width	b	750	800	900	1000 mm
Depth	c	445	445	445	445 mm
Internal length (top)	d	1540	1640	1740	1800 mm
<b>Internal length (bottom)</b>	<b>e</b>	<b>1080</b>	<b>1180</b>	<b>1280</b>	<b>1340 mm</b>
Internal width (top)	f	590	640	740	800 mm
Internal width (bottom)	g	470	520	620	680 mm
Height with feet	h	565-600	555-590	555-590	555-590 mm
Height of rim	i	50	50	50	50 mm
Distance top edge to centre of overflow hole	j	70	70	70	70 mm
Distance bath edge to centre of drain hole	k	850	900	950	1000 mm
Diameter of overflow hole	l	52	52	52	52 mm
Diameter of drain hole	m	90	90	90	90 mm
Distance foot end of bath edge to centre of foot	n	555	555	570	620 mm
Distance between the feet	o	590	690	760	760 mm
Max. width of feet	p	445	515	610	675 mm
Distance bath edge to where grip/handle starts	q	702,5	752,5	802,5	852,5 mm
Distance bath edge to where grip/handle ends	r	997,5	1047,5	1097,5	1147,5 mm
Width of rim (foot end; lengthwise)	s <sub>1</sub> ; s <sub>2</sub>	80; 80	80; 80	80; 80	100; 100 mm
Distance between centre holes	u	285	310	360	390 mm
Water volume** in litres		122	159	220	260
Weight of the enamelled bath in kg		52	57	66	75
Anti-slip		356 x 356	404 x 404	500 x 500	500 x 500 mm
Full anti-slip		788 x 356	884 x 404	980 x 500	980 x 500 mm

Subject to technical alterations, tolerances and errors. Similar illustration.  
\*\* 70 litres displacement on average.