

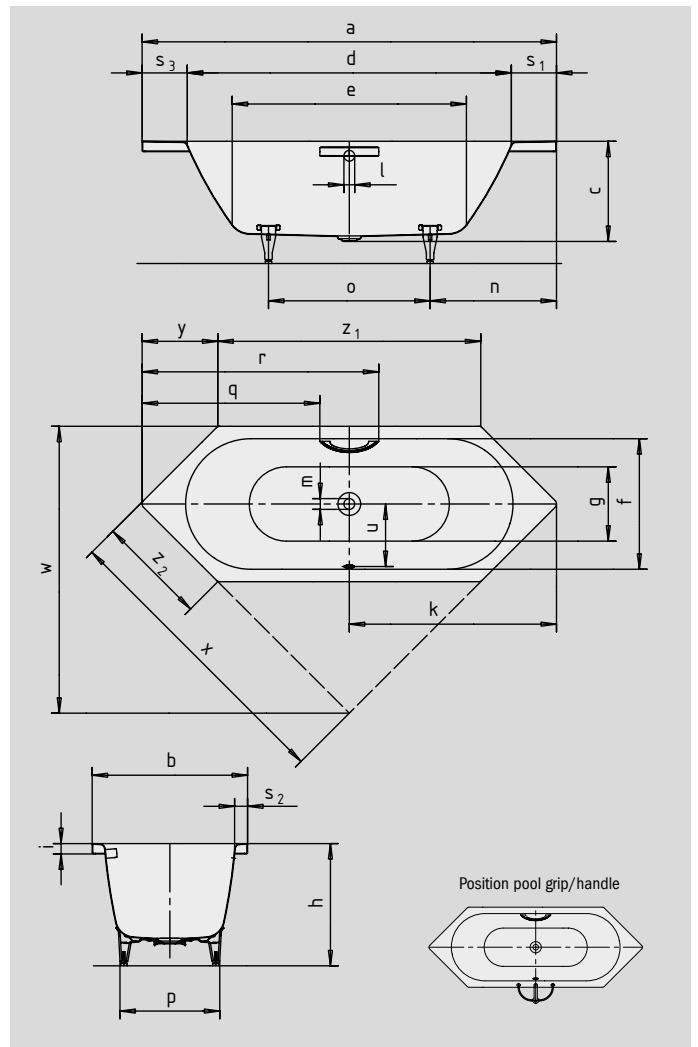
CENTRO DUO 6

- pure simplicity and unpretentious elegance are what distinguish these baths
- bathing with a friend: two identical back rests and centrally positioned waste
- diverse installation possibilities, also corner installation
- made of Kaldewei steel enamel 3,5 mm
- enamelled waste cover and overflow knob integrated in the bath design



Similar illustration

Please notice:
The illustrated bath with grip/handle requires a special bath design. To attach the grip/handle, a special drilling (standard positioning) in the bath is required (already included in the accessory price).



DISCREET OPULENCE AVANTGARDE COLLECTION

COMFORT SELECT



Model No.		134
External length	a	2000 mm
External width	b	750 mm
Depth	c	485 mm
Internal length (top)	d	1580 mm
Internal length (bottom)	e	1130 mm
Internal width (top)	f	630 mm
Internal width (bottom)	g	510 mm
Height with feet	h	605-640 mm
Height of rim	i	50 mm
Distance top edge to centre of overflow hole	j	70 mm
Distance bath edge to centre of drain hole	k	1000 mm
Diameter of overflow hole	l	52 mm
Diameter of drain hole	m	52 mm
Distance foot end of bath edge to centre of foot	n	710 mm
Distance between the feet	o	580 mm
Max. width of feet	p	465 mm
Distance bath edge to where grip/handle starts	q	858 mm
Distance bath edge to where grip/handle ends	r	1142 mm
Width of rim (foot end; lengthwise; head end)	s ₁ ; s ₂ ; s ₃	218; 60; 218 mm
Distance between centre holes	u	307 mm
Installation dimension	w	1335 mm
Side length; Oblique	x; y	1425; 365 mm
Side length	z ₁ ; z ₂	1270; 530 mm
Water volume** in litres		156
Weight of the enamelled bath in kg		53
Anti-slip		∅ 435 mm
Full anti-slip		900 x 300 mm

Note: The operational system may protrude on some whirl systems.
Please refer to the Technical Information for Whirl Systems for further information.
Subject to technical alterations, tolerances and errors. Similar illustration.
** 70 litres displacement on average.

KALDEWEI