

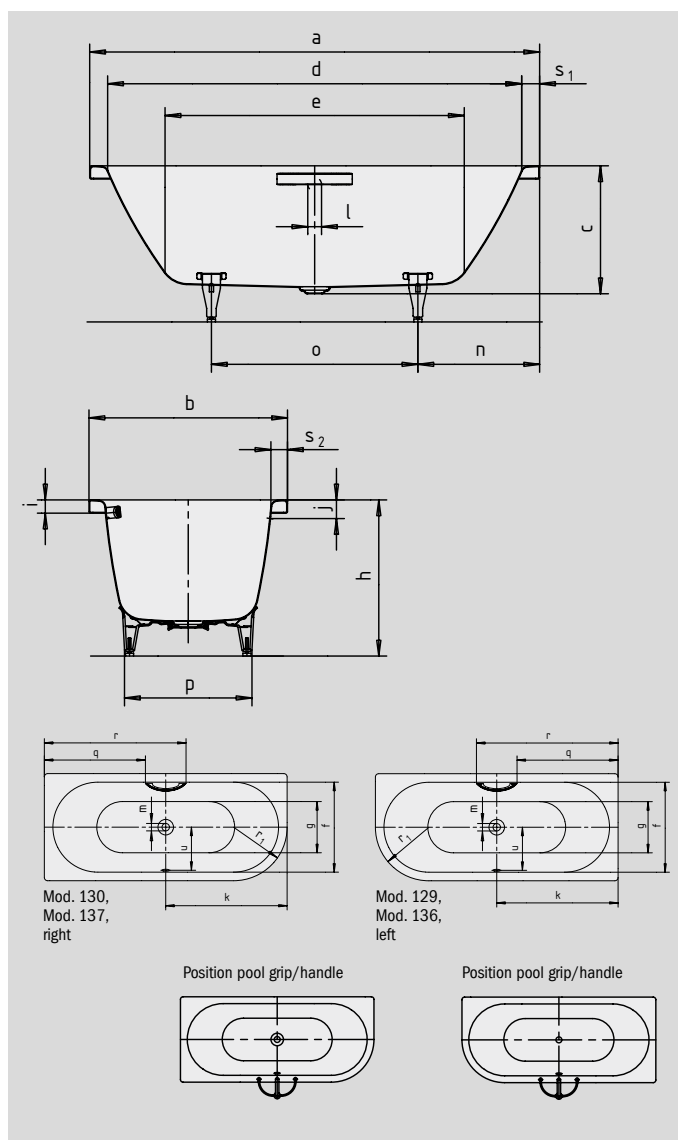
# CENTRO DUO 1 LEFT CENTRO DUO 1 RIGHT

- pure simplicity and unpretentious elegance are what distinguish these baths
- bathing with a friend: two identical back rests and centrally positioned waste
- made of Kaldewei steel enamel 3,5 mm
- enamelled waste cover and overflow knob integrated in the bath design



Similar illustration

**Please notice:**  
The illustrated bath with grip/handle requires a special bath design. To attach the grip/handle, a special drilling (standard positioning) in the bath is required (already included in the accessory price).



DISCREET OPULENCE AVANTGARDE COLLECTION

COMFORT SELECT



Model No.		129	130	136	137
External length	a	1700	1700	1800	1800 mm
External width	b	750	750	800	800 mm
Depth	c	485	485	485	485 mm
Internal length (top)	d	1580	1580	1680	1680 mm
<b>Internal length (bottom)</b>	<b>e</b>	<b>1130</b>	<b>1130</b>	<b>1230</b>	<b>1230 mm</b>
Internal width (top)	f	630	630	680	680 mm
Internal width (bottom)	g	510	510	560	560 mm
Height with feet	h	605-640	605-640	595-630	595-630 mm
Height of rim	i	50	50	50	50 mm
Distance top edge to centre of overflow hole	j	70	70	70	70 mm
Distance bath edge to centre of drain hole	k	850	850	900	900 mm
Diameter of overflow hole	l	52	52	52	52 mm
Diameter of drain hole	m	52	52	52	52 mm
Distance foot end of bath edge to centre of foot	n	560	560	600	600 mm
Distance between the feet	o	580	580	600	600 mm
Max. width of feet	p	465	465	540	540 mm
Distance bath edge to where grip/handle starts	q	708	708	758	758 mm
Distance bath edge to where grip/handle ends	r	992	992	1042	1042 mm
Width of rim (foot end; lengthwise)	s <sub>1</sub> ; s <sub>2</sub>	60; 60	60; 60	60; 60	60; 60 mm
Distance between centre holes	u	307	307	332	332 mm
Water volume** in litres		156	156	195	195
Weight of the enamelled bath in kg		53	53	56	56
Anti-slip		Ø 435	Ø 435	Ø 435	Ø 435 mm
Full anti-slip		900 x 300	900 x 300	900 x 300	900 x 300 mm

Note: The operational system may protrude on some whirl systems.  
Please refer to the Technical Information for Whirl Systems for further information.  
Subject to technical alterations, tolerances and errors. Similar illustration.  
\*\* 70 litres displacement on average.

**KALDEWEI**