

design **PATRICK NORGUET**

2013

## NL62INC Nile 62

**Recessed basin 62 cm**

• WITH OVERFLOW • WITHOUT TAP LEDGE

Complements: **Forty6 shelf (F6NLINC)**  
**Line taps basin: ONE - NOKÉ - FOLD - SI - X1**  
**Line accessories: TWO - HOOP - NOKÉ - FOLD**

Technical accessories: **Chrome siphon (SIFL/CR) - Telescopic chrome siphon (SIFL066)**  
**Stop & Go drain (PLSG)**  
**CERAMIC Stop & Go drain (PLCE)**  
**Two piece set chrome tap filters (RF026)**

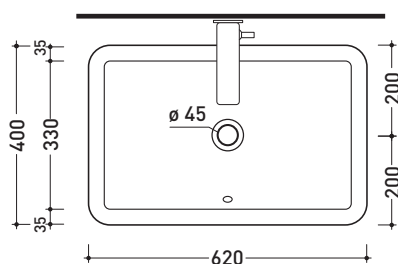
Package dim.

Weight **kg 16**

Pz. Pallet n° **12**

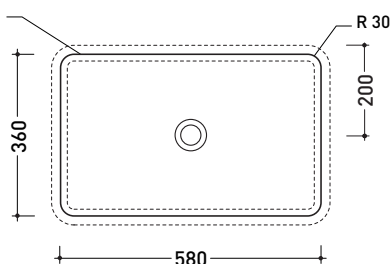
CE UNI EN 14688 - CL20

Dop-No14688

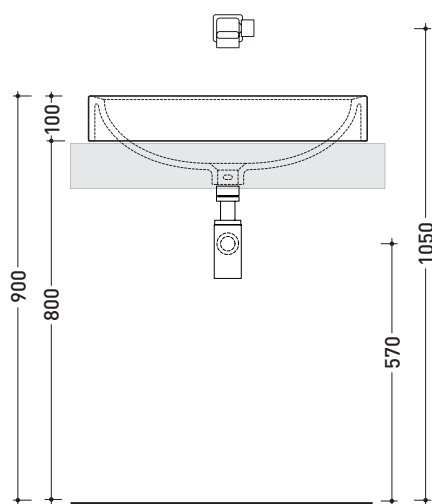


vista zenitale / zenital view

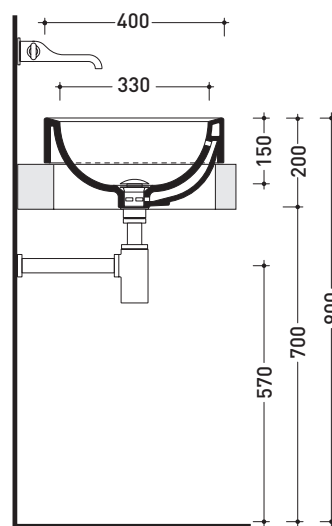
foro consigliato sul piano  
suggested hole on the top



vista zenitale / zenital view



vista frontale / frontal view



sezione longitudinale / section

sizes in mm

Please consider a 2% tolerance on indicated measurements

CERAMIC: glossy finish



white black

matt finish



milky white carbone lava grey

METAL



white / gold white / platinum